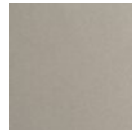




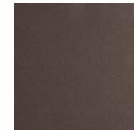
Mobile - 6pc - Cumulus

Undulating layers of precision-crafted metal bring a playful sophistication to this modern chandelier style. Arms rotate easily to accommodate different configurations. 4 and 6-light sizes are available in a choice of several single and two-tone finish combinations. Now available for preorder for Q2 shipment.

Finishes



Beige Silver
(BS)



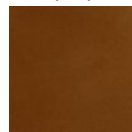
Flat Bronze
(FB)



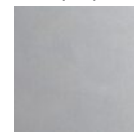
Gilded Brass
(GB)



Matte Black
(MB)



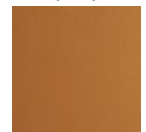
Burnished
Bronze (BB)



Classic
Silver (CS)



Graphite
(GP)



Novel Brass
(NB)

Glass Colors

Matching
Inner (MI)

White Inner
(WI)

Black Inner
(BI)

[Scan for Product & Install Info](#)



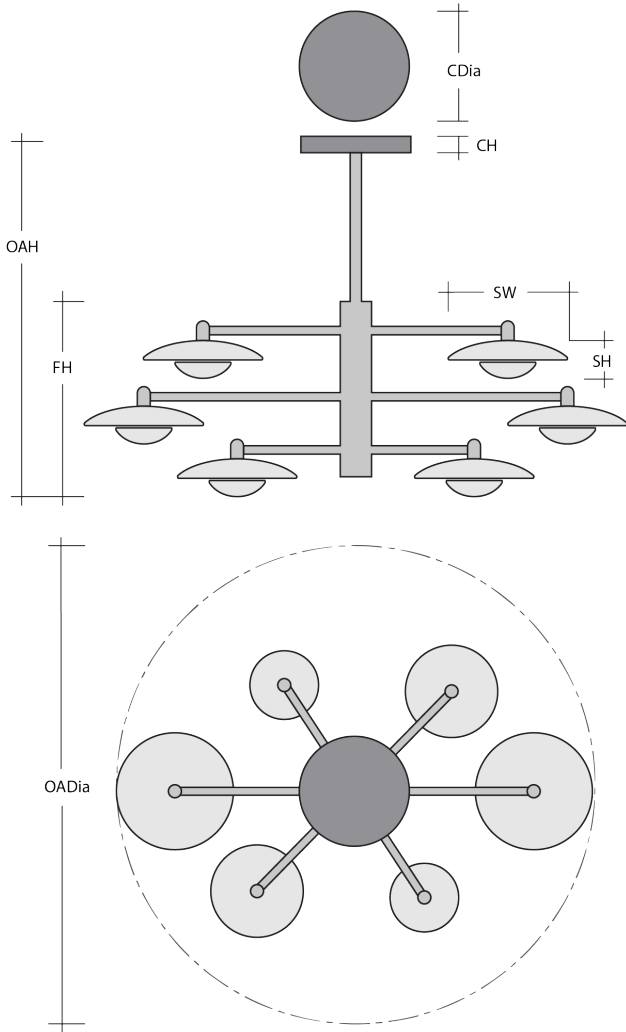
Product Notes - PLEASE READ:

- All Hammerton Studio fixtures are handcrafted by artisans. Subtle imperfections reflect the mark of the maker and should be expected.
- This product may incorporate both steel and aluminum material. Transparent finishes may vary between steel and aluminum components.
- Products incorporating artisan blown and cast glass may create dramatic patterns of light and shadow on surrounding surfaces. While this is often desirable, shadowing can be minimized by adding recessed ceiling light to the installation area.

General Notes:

- Visit studio.hammerton.com to read our complete warranty.
- All dimensions are in inches unless otherwise noted. Dimensions may vary up to 7/8".

Revision date: 2025-01-07



Mobile - 6pc - Cumulus

Product Dimensions *Dimensions may vary up to 7/8"*

| | | |
|------------------|-------|----------------|
| Overall Height | OAH | 24.8 – 81.8 in |
| Overall Diameter | OADia | 55 in |
| Canopy Height | CH | 1.2 in |
| Canopy Diameter | CDia | 9 in |
| Fixture Height | FH | 18.4 in |

Glass Dimensions

| | |
|------------|---|
| Large Qty | 2 |
| Medium Qty | 2 |
| Small Qty | 2 |

Shade Dimensions

| | | |
|---------------------|----|--------|
| Large Shade Qty | 2 | |
| Medium Shade Qty | 2 | |
| Small Shade Qty | 2 | |
| Large Shade Height | SH | 5.2 in |
| Large Shade Width | SW | 16 in |
| Medium Shade Height | SH | 5.2 in |
| Medium Shade Width | SW | 14 in |
| Small Shade Height | SH | 5.2 in |
| Small Shade Width | SW | 12 in |

Electrical

| | |
|----------------------------|-------------|
| Bulb/Lamping Qty | 6 |
| Bulb/Lamping Type | LED |
| Wattage | 24 watts |
| Voltage | 120 volts |
| Total Source Lumens | 2040 lumens |
| Dimming Type | TRIAC/ELV |
| Correlated Color Temp: CCT | 3000K |
| Color Rendering Index: CRI | 93+ |
| Certification | ETL |

Installation & Mounting

| | | |
|-----------------|------------|------------|
| Weight: Lbs | 39 lbs | |
| Mounting Type | J-Box | |
| Suspension Type | Rod | |
| Flat or Sloped | Sloped | |
| Max Slope | SA | 25 degrees |
| Location | Indoor/Dry | |

Other Information

| | |
|----------|-------------|
| Warranty | See Website |
|----------|-------------|

Project Notes

Name:

Location:

Quantity:

Finish Color:

Glass Color:

Notes: