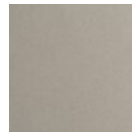




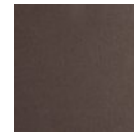
Mobile - 6pc - Cirrus

A unique fusion of artisan textured & kiln-fused glass, cast crystal glass and precision-crafted metal lends surprising drama to this modern chandelier style. Arms rotate easily to accommodate different configurations. 4 and 6-light sizes are available in a choice of Smoke Granite or Clear Granite textured glass and several finishes. Now available for preorder for Q2 shipment.

Finishes



Beige Silver
(BS)



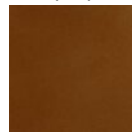
Flat Bronze
(FB)



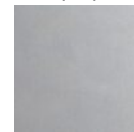
Gilded Brass
(GB)



Matte Black
(MB)



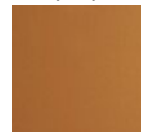
Burnished
Bronze (BB)



Classic
Silver (CS)



Graphite
(GP)



Novel Brass
(NB)

Glass Colors

Smoke
Granite (SG)

Clear
Granite (CG)

Product Notes - PLEASE READ:

- All Hammerton Studio fixtures are handcrafted by artisans. Subtle imperfections reflect the mark of the maker and should be expected.
- This product may incorporate both steel and aluminum material. Transparent finishes may vary between steel and aluminum components.
- Products incorporating artisan blown and cast glass may create dramatic patterns of light and shadow on surrounding surfaces. While this is often desirable, shadowing can be minimized by adding recessed ceiling light to the installation area.

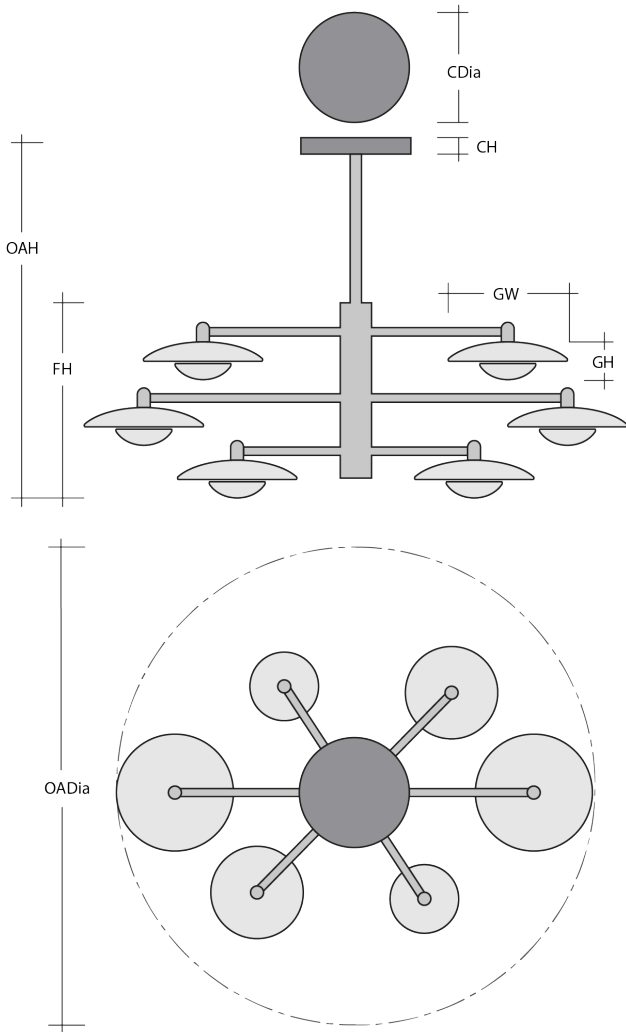
General Notes:

- Visit studio.hammerton.com to read our complete warranty.
- All dimensions are in inches unless otherwise noted. Dimensions may vary up to 7/8".

Revision date: 2025-01-08

[Scan for Product & Install Info](#)





Mobile - 6pc - Cirrus

Product Dimensions *Dimensions may vary up to 7/8"*

| | | |
|------------------|-------|----------------|
| Overall Height | OAH | 24.8 – 81.8 in |
| Overall Diameter | OADia | 52.5 in |
| Canopy Height | CH | 1.2 in |
| Canopy Diameter | CDia | 9 in |
| Fixture Height | FH | 18.5 in |

Glass Dimensions

| | | |
|---------------------|----|---------|
| Large Qty | | 2 |
| Medium Qty | | 2 |
| Small Qty | | 2 |
| Large Glass Height | GH | 4.6 in |
| Large Glass Width | GW | 13.9 in |
| Medium Glass Height | GH | 4.6 in |
| Medium Glass Width | GW | 11.5 in |
| Small Glass Height | GH | 4.6 in |
| Small Glass Width | GW | 9 in |

Electrical

| | |
|----------------------------|-------------|
| Bulb/Lamping Qty | 6 |
| Bulb/Lamping Type | LED |
| Wattage | 24 watts |
| Voltage | 120 volts |
| Total Source Lumens | 2040 lumens |
| Dimming Type | TRIAC/ELV |
| Correlated Color Temp: CCT | 3000K |
| Color Rendering Index: CRI | 93+ |
| Certification | ETL |

Installation & Mounting

| | |
|-------------------|---------------|
| Weight: Lbs | 52 lbs |
| Mounting Type | Structural |
| Suspension Type | Rod |
| Flat or Sloped | Sloped |
| Max Slope | SA 25 degrees |
| Slope Orientation | All |
| Location | Indoor/Dry |

Other Information

| | |
|----------|-------------|
| Warranty | See Website |
|----------|-------------|

Project Notes

Name:

Location:

Quantity:

Finish Color:

Glass Color:

Notes: