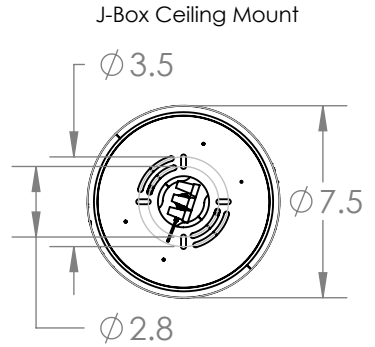


**Mounting Detail**



**PRODUCT DESCRIPTION**

Beautifully striated diffusers in LED-illuminated and artisan blown crystal glass evoke the rugged beauty of iconic Southwest landscapes in the Mesa Modern Branch. Each is handcrafted by Hammerton artisans from up to five pounds of molten glass and is illuminated with 93+ CRI integrated LED.

**PRODUCT SPECIFICATION**

- Construction: Aluminum Body with Blown Glass
- Finish Options:  BS  MB  FB  GB  CS  GP  BB  NB
- Glass Options:  A  B  C  S
- Suspension Method: Ceiling Mount
- Weight (lbs.): 22
- UL Rating: Indoor/Dry
- Top Diffuser: Closed Glass
- Bottom Diffuser: Closed Glass
- Light Source: LED
- Electrical Qty: 8
- Wattage (Watts): 21
- Voltage (Volts): 120
- Source Lumens: 1866
- Dimming: Forward/Reverse Phase to 1%
- CCT: 2700K and 3000K
- Driver Quantity & Location: 1, in Canopy
- CRI: 93+
- Power Factor: >0.9

SCAN FOR MORE INFORMATION



**GENERAL NOTES:**

All dimensions are shown in inches unless otherwise stated. Visit [studio.hammerton.com](http://studio.hammerton.com) to read about our Lifetime Limited Warranty. This product may use mixed materials like steel and aluminum in its construction. Transparent finishes may vary between steel and aluminum. All Hammerton fixtures are handcrafted by artisans. Subtle imperfections reflect the mark of the artisan and should be expected in any handcrafted product. Dimensions may vary up to 7/8".

© Copyright 2023. All rights in design, detail or invention of this drawing are reserved as the property of Hammerton. Any imitation or adaptation without written consent is strictly prohibited. Hammerton Inc. 217 Wright Brothers Dr. Salt Lake City, UT 84116 (801)973-8095 | [studio.hammerton.com](http://studio.hammerton.com) | [info@hammerton.com](mailto:info@hammerton.com)