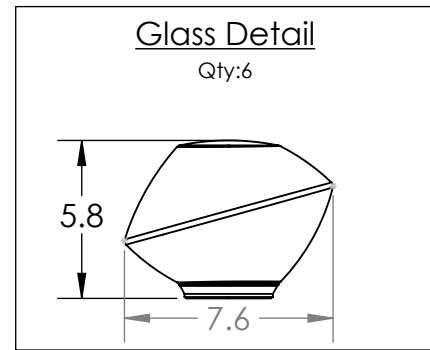
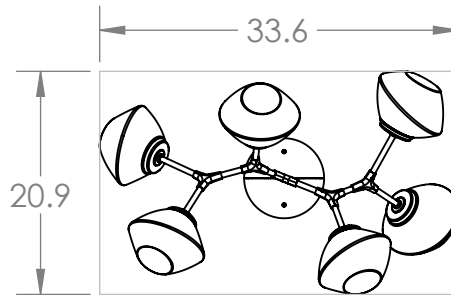
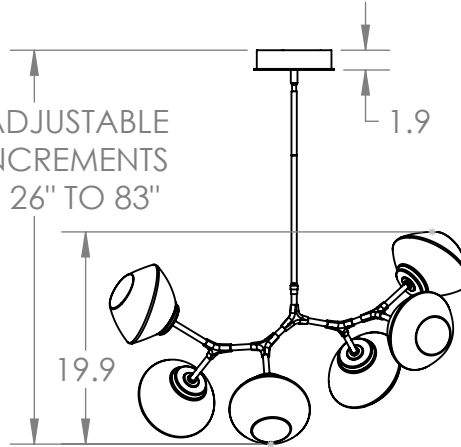


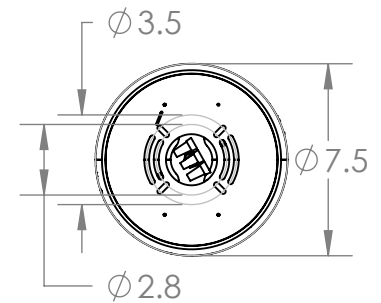


OAH ADJUSTABLE
IN 3" INCREMENTS
FROM 26" TO 83"



Mounting Detail

J-Box Ceiling Mount



PRODUCT DESCRIPTION

Beautifully striated diffusers in LED-illuminated and artisan blown crystal glass evoke the rugged beauty of iconic Southwest landscapes in the Mesa Modern Branch. Each is handcrafted by Hammerton artisans from up to five pounds of molten glass and is illuminated with 93+ CRI integrated LED.

PRODUCT SPECIFICATION

Construction: Aluminum Body with Blown Glass

Finish Options: BS MB FB GB CS GP BB NB

Glass Options: A B C S
Suspension Method: Ceiling Mount

Weight(lbs.): 18

UL Rating: Indoor/Dry

Top Diffuser: Closed Glass

Bottom Diffuser: Closed Glass

Light Source: LED

Electrical Qty: 6

Wattage (Watts):16

Voltage (Volts): 120

Source Lumens: 1399

Dimming: Forward/Reverse Phase to 1%

CCT: 2700K and 3000K

Driver Quantity & Location: 1, in Canopy

CRI: 93+

Power Factor: >0.9

SCAN FOR MORE
INFORMATION



GENERAL NOTES:

All dimensions are shown in inches unless otherwise stated.

Visit studio.hammerton.com to read about our Lifetime Limited Warranty.

This product may use mixed materials like steel and aluminum in its construction. Transparent finishes may vary between steel and aluminum.

All Hammerton fixtures are handcrafted by artisans. Subtle imperfections reflect the mark of the artisan and should be expected in any handcrafted product. Dimensions may vary up to 7/8".

© Copyright 2023. All rights in design, detail or invention of this drawing are reserved as the property of Hammerton. Any imitation or adaptation without written consent is strictly prohibited.
Hammerton Inc. 217 Wright Brothers Dr. Salt Lake City, UT 84116 (801)973-8095 | studio.hammerton.com | info@hammerton.com