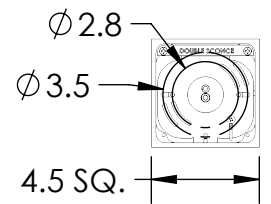
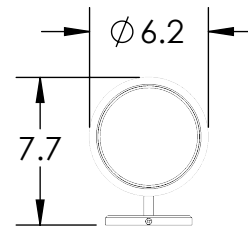
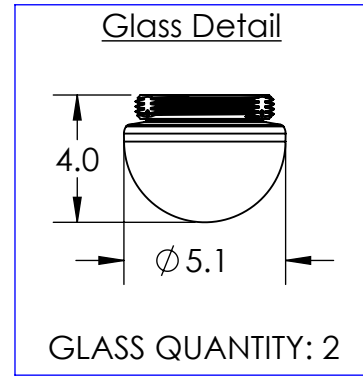
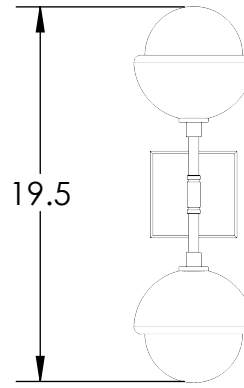


All dimensions are shown in inches unless otherwise stated.



Mounting Method: J-Box Wall Mount

**Minimum J-Box size requirement is 4" W 4" H 1.5" D**

**PRODUCT DESCRIPTION**

Drawing inspiration from the time-honored gemstone cut, the Cabochon Double Sconce is a sculptural fusion of polished stone, artisan blown crystal glass and metalwork. This captivating blend of tradition and modernity elevates transitional and modern spaces alike

**PRODUCT SPECIFICATION**

Construction: Aluminum Body, Blown Glass, Stone or Metal Shade

Finish Options: BS MB FB GB CS GP BB NB

Glass Options: Clear Blown Glass

Suspension Method: Wall Mount

Weight(lbs.): 11

UL Rating: Indoor/Dry

Top Diffuser: Closed Glass

Bottom Diffuser: Closed Glass

Light Source: DC LED

Electrical Qty: 2

Wattage (Watts):6

Voltage (Volts): 120 V

Source Lumens: 466

Dimming: Forward/Reverse Phase to 1%

CCT: 2700K or 3000K

Driver Quantity & Location: 1, In J-Box

CRI: 93+

Power Factor: >0.9

SCAN FOR MORE INFORMATION

Notes:

**GENERAL NOTES:**

Visit [studio.hammerton.com](http://studio.hammerton.com) to read our Lifetime Limited Warranty.

This product may use mixed materials like steel and aluminum in its construction. Translucent finishes may vary between steel and aluminum.

All Hammerton fixtures are handcrafted by artisans. Subtle imperfections reflect the mark of the artisan and should be expected in any handcrafted product. Dimensions may vary up to 7/8".

Rev(A) 12/15/2023