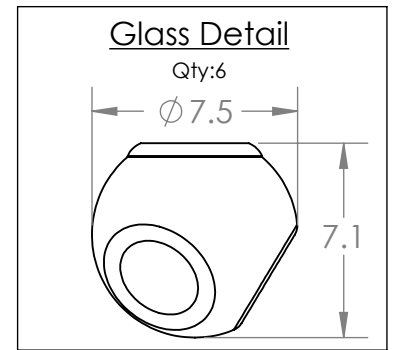
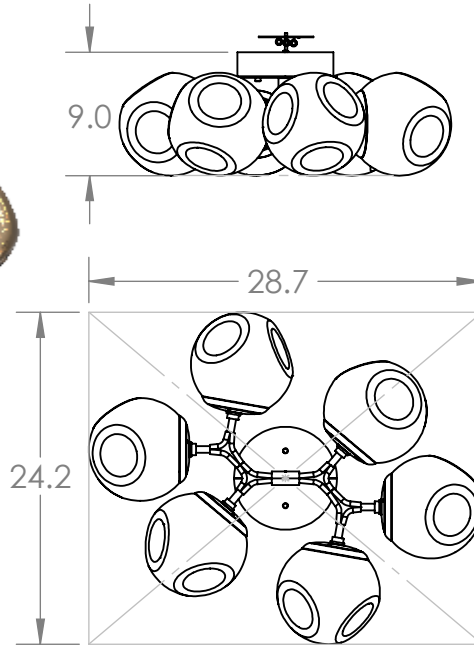


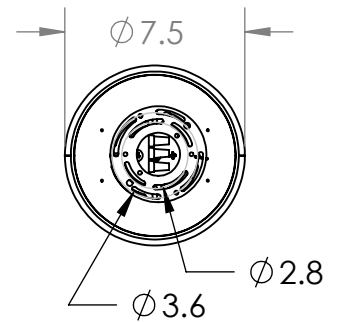


INNER CAST GLASS DIFFUSER OPTIONS



Mounting Detail

J-Box Ceiling Mount



PRODUCT DESCRIPTION

An eye-catching ceiling solution, this versatile branch-style flush mount features six 'Luna' artisan blown glass shades with a metal canopy. Integrated LED light illuminates each glass shade without the distraction of a filament bulb. Offered in four glass colors and eight finishes. Choose 2700K or 3000K CCT integrated LED.

PRODUCT SPECIFICATION

Construction: Aluminum Body with Blown Glass

Finish Options:

Glass Options:

Suspension Method: Ceiling Mount

Weight(lbs.): 27

UL Rating: Indoor/Dry

Top Diffuser: Closed Glass

Bottom Diffuser: Closed Glass

Light Source: LED

Electrical Qty: 6

Wattage (Watts):16

Voltage (Volts): 120

Source Lumens: 1399

Dimming: Forward/Reverse Phase to 1%

CCT: 2700K or 3000K

Driver Quantity & Location: 1, in Canopy

CRI: 93+

Power Factor: >0.9

SCAN FOR MORE INFORMATION



GENERAL NOTES:

All dimensions are shown in inches unless otherwise stated.

Visit studio.hammerton.com to read about our Lifetime Limited Warranty.

This product may use mixed materials like steel and aluminum in its construction. Transparent finishes may vary between steel and aluminum.

All Hammerton fixtures are handcrafted by artisans. Subtle imperfections reflect the mark of the artisan and should be expected in any handcrafted product. Dimensions may vary up to 7/8".

© Copyright 2023. All rights in design, detail or invention of this drawing are reserved as the property of Hammerton. Any imitation or adaptation without written consent is strictly prohibited. Hammerton Inc. 217 Wright Brothers Dr. Salt Lake City, UT 84116 (801)973-8095 | studio.hammerton.com | info@hammerton.com