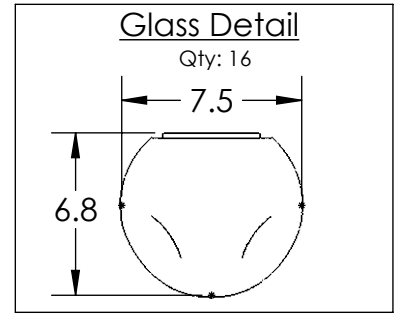
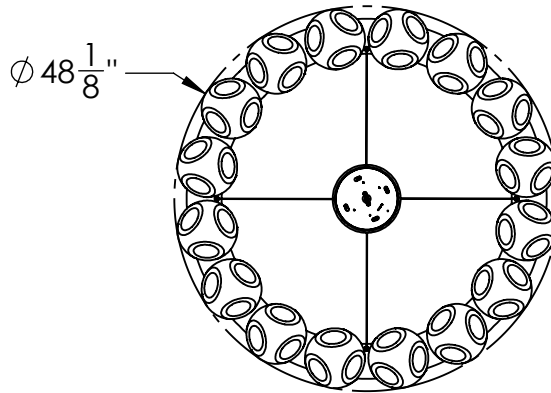
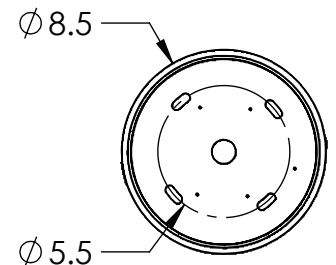
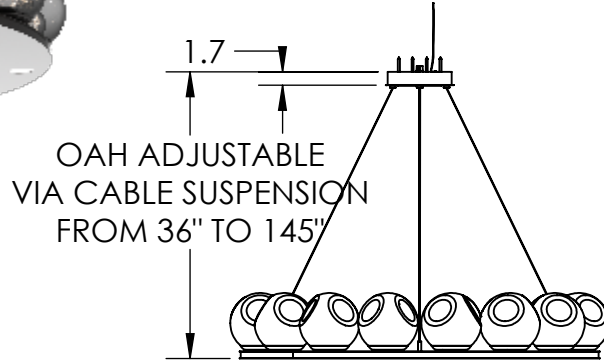




BLOWN GLASS DIFFUSERS



Mounting Detail



PRODUCT DESCRIPTION

A modern reinterpretation of the classic blown glass shade, the Luna Ring Chandelier replaces the traditional filament bulb with LED-illuminated artisan cast glass diffusers in a choice of three styles. Includes 93+ CRI integrated LED.

PRODUCT SPECIFICATION

Construction: Aluminum Body with Blown Glass

Finish Options: BS MB FB GB CS GP BB NB

Glass Options: A B C S

Suspension Method: Ceiling Mount

Weight (lbs.): 110

UL Rating: Indoor/Dry

Top Diffuser: Closed Glass

Bottom Diffuser: Frosted Acrylic

Light Source: LED

Electrical Qty: 20

Wattage (Watts): 42

Voltage (Volts): 120

Source Lumens: 3639

Dimming: Forward/Reverse Phase to 1%

CCT: 2700K or 3000K

Driver Quantity & Location: 2, In Canopy

CRI: 93+

Power Factor: >0.9

SCAN FOR MORE INFORMATION



GENERAL NOTES:

All dimensions are shown in inches unless otherwise stated.

Visit studio.hammerton.com to read about our Lifetime Limited Warranty.

This product may use mixed materials like steel and aluminum in its construction. Transparent finishes may vary between steel and aluminum.

All Hammerton fixtures are handcrafted by artisans. Subtle imperfections reflect the mark of the artisan and should be expected in any handcrafted product. Dimensions may vary up to 7/8".

© Copyright . All rights in design, detail or invention of this drawing are reserved as the property of Hammerton. Any imitation or adaptation without written consent is strictly prohibited.
Hammerton Inc. 217 Wright Brothers Dr. Salt Lake City, UT 84116 (801)973-8095 | studio.hammerton.com | info@hammerton.com