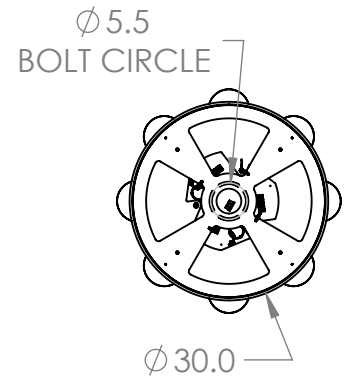
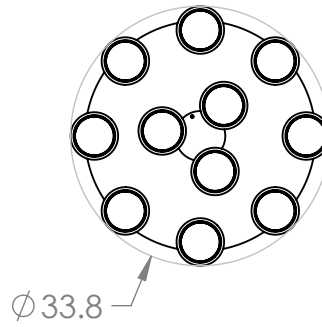


**Mounting Detail**  
Mounts Directly to Building Structure



**PRODUCT DESCRIPTION**

Drawing inspiration from the time-honored gemstone cut, the Cabochon Multi-Pendant is a sculptural fusion of polished stone, artisan blown crystal glass and metalwork. This captivating blend of tradition and modernity elevates transitional and modern spaces alike

**PRODUCT SPECIFICATION**

Construction: Stone or Metal Shade, Blown Glass, Braided Cord

Finish Options: BS MB FB GB CS GP BB NB

Glass Options: Clear Blown Glass

Suspension Method: Ceiling Mount

Weight(lbs.): 92

UL Rating: Indoor/Dry

Top Diffuser: Closed Metal or Stone

Bottom Diffuser: Closed Glass

Light Source: LED

Electrical Qty: 11

Wattage (Watts):57

Voltage (Volts): 120

Source Lumens: 4623

Dimming: Forward/Reverse Phase to 1%

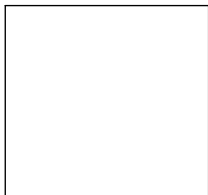
CCT: 2700k or 3000K

Driver Quantity & Location: 3, in Canopy

CRI: 93+

Power Factor: >0.9

SCAN FOR MORE INFORMATION



**GENERAL NOTES:**

All dimensions are shown in inches unless otherwise stated.

Visit [studio.hammerton.com](http://studio.hammerton.com) to read about our Lifetime Limited Warranty.

This product may use mixed materials like steel and aluminum in its construction. Transparent finishes may vary between steel and aluminum.

All Hammerton fixtures are handcrafted by artisans. Subtle imperfections reflect the mark of the artisan and should be expected in any handcrafted product. Dimensions may vary up to 7/8".

© Copyright 2023. All rights in design, detail or invention of this drawing are reserved as the property of Hammerton. Any imitation or adaptation without written consent is strictly prohibited. Hammerton Inc. 217 Wright Brothers Dr. Salt Lake City, UT 84116 (801)973-8095 | [studio.hammerton.com](http://studio.hammerton.com) | [info@hammerton.com](mailto:info@hammerton.com)