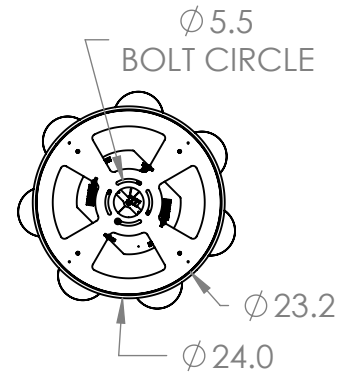
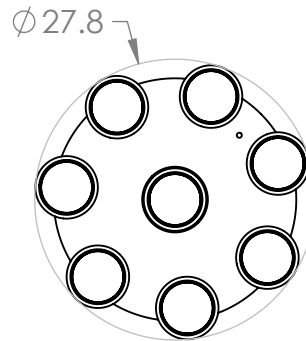


Mounting Detail
Mounts Directly to Building Structure



PRODUCT DESCRIPTION

Drawing inspiration from the time-honored gemstone cut, the Cabochon Multi-Pendant is a sculptural fusion of polished stone, artisan blown crystal glass and metalwork. This captivating blend of tradition and modernity elevates transitional and modern spaces alike

PRODUCT SPECIFICATION

Construction: Metal or Stone Shade, Blown Glass, and Braided Cord

Finish Options: BS MB FB GB CS GP BB NB

Glass Options: Clear Blown Glass

Suspension Method: Ceiling Mount

Weight(lbs.): 65

UL Rating: Indoor/Dry

Top Diffuser: Closed Metal or Stone

Bottom Diffuser: Closed Glass

Light Source: LED

Electrical Qty: 8

Wattage (Watts): 42

Voltage (Volts): 120

Source Lumens: 3362

Dimming: Forward/Reverse Phase to 1%

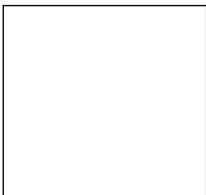
CCT: 2700k or 3000K

Driver Quantity & Location: 2, in Canopy

CRI: 93+

Power Factor: >0.9

SCAN FOR MORE INFORMATION



GENERAL NOTES:

All dimensions are shown in inches unless otherwise stated.

Visit studio.hammerton.com to read about our Lifetime Limited Warranty.

This product may use mixed materials like steel and aluminum in its construction. Transparent finishes may vary between steel and aluminum.

All Hammerton fixtures are handcrafted by artisans. Subtle imperfections reflect the mark of the artisan and should be expected in any handcrafted product. Dimensions may vary up to 7/8".

© Copyright 2023. All rights in design, detail or invention of this drawing are reserved as the property of Hammerton. Any imitation or adaptation without written consent is strictly prohibited. Hammerton Inc. 217 Wright Brothers Dr. Salt Lake City, UT 84116 (801)973-8095 | studio.hammerton.com | info@hammerton.com