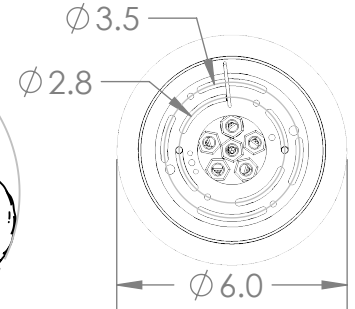


Mounting Detail
MOUNTS TO J-BOX



MINIMUM SIZE OF J-BOX REQUIRED IS 4" L x 4" W x 1.5" H

PRODUCT DESCRIPTION

Featuring beautifully contoured orbs of hand-blown lead-free crystal, the Gaia Pendant Cluster elevates the familiar round glass shade to a modern organic interpretation of the natural world. Gaia lighting is illuminated with 93+ CRI integrated LED and includes a choice of glass colors, finishes and color temperature options.

PRODUCT SPECIFICATION

Construction: Steel Body, Blown Glass, and Braided Cord

Finish Options: BS MB FB GB CS GP BB NB SN GM RB HB

Glass Options: A C S W

Suspension Method: Ceiling Mount

Weight(lbs.): 30

UL Rating: Indoor/Dry

Top Diffuser: Closed Metal

Bottom Diffuser: Closed Glass

Light Source: LED

Electrical Qty: 3

Wattage (Watts):16

Voltage (Volts): 120

Source Lumens: 1261

Dimming: Forward/Reverse Phase to 1%

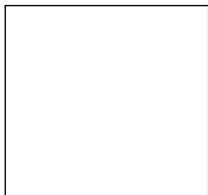
CCT: 2700K (Amber, Clear, & Smoke Glass), 3000K (All Glass)

Driver Quantity & Location: 1, in J-Box

CRI: 93+

Power Factor: >0.9

SCAN FOR MORE INFORMATION



GENERAL NOTES:

All dimensions are shown in inches unless otherwise stated. Visit studio.hammerton.com to read about our Lifetime Limited Warranty. This product may use mixed materials like steel and aluminum in its construction. Transparent finishes may vary between steel and aluminum. Hammerton products are made by artisans, not machines. A close inspection may reveal subtle variations and imperfections in glass, metal and other handcrafted materials that reflect the mark of the maker. They should be expected and celebrated.