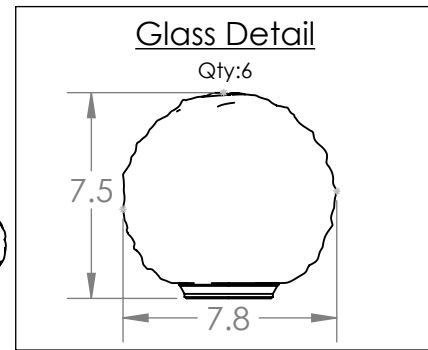
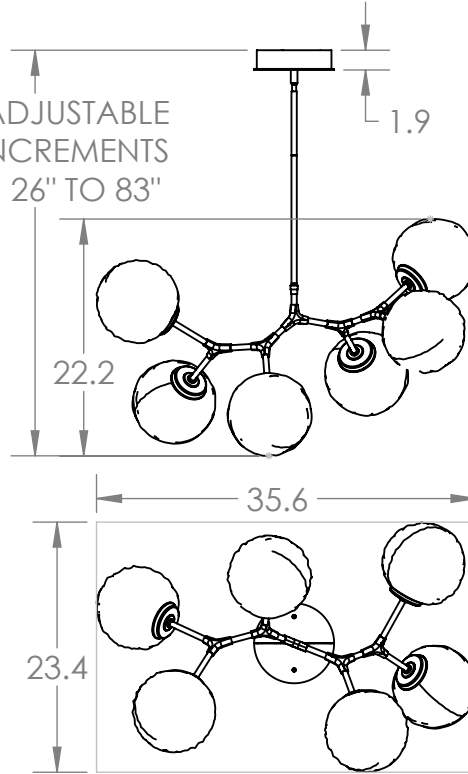


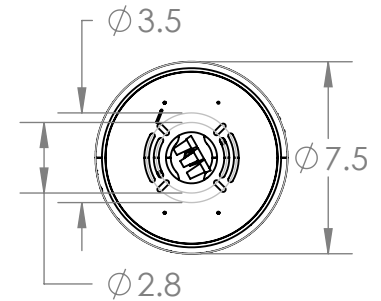


OAH ADJUSTABLE
IN 3" INCREMENTS
FROM 26" TO 83"



Mounting Detail

J-Box Ceiling Mount



PRODUCT DESCRIPTION

Featuring beautifully contoured orbs of hand-blown lead-free crystal, the Gaia Modern Branch elevates the familiar round glass shade to a modern organic interpretation of the natural world. Gaia lighting is illuminated with 93+ CRI integrated LED and includes a choice of glass colors, finishes and color temperature options.

PRODUCT SPECIFICATION

Construction: Aluminum Body with Blown Glass

Finish Options: BS MB FB GB CS GP BB NB

Glass Options: A C S W

Suspension Method: Ceiling Mount

Weight (lbs.): 30

UL Rating: Indoor/Dry

Top Diffuser: Closed Glass

Bottom Diffuser: Closed Glass

Light Source: LED

Electrical Qty: 6

Wattage (Watts): 16

Voltage (Volts): 120

Source Lumens: 1399

Dimming: Forward/Reverse Phase to 1%

CCT: 2700K (Amber, Clear, & Smoke Glass), 3000K (All Glass)

Driver Quantity & Location: 1, in Canopy

CRI: 93+

Power Factor: >0.9

SCAN FOR MORE
INFORMATION



GENERAL NOTES:

All dimensions are shown in inches unless otherwise stated.

Visit studio.hammerton.com to read about our Lifetime Limited Warranty.

This product may use mixed materials like steel and aluminum in its construction. Transparent finishes may vary between steel and aluminum.

All Hammerton fixtures are handcrafted by artisans. Subtle imperfections reflect the mark of the artisan and should be expected in any handcrafted product. Dimensions may vary up to 7/8".

© Copyright 2023. All rights in design, detail or invention of this drawing are reserved as the property of Hammerton. Any imitation or adaptation without written consent is strictly prohibited.
Hammerton Inc. 217 Wright Brothers Dr. Salt Lake City, UT 84116 (801)973-8095 | studio.hammerton.com | info@hammerton.com