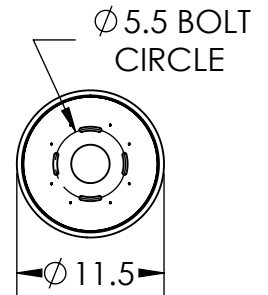
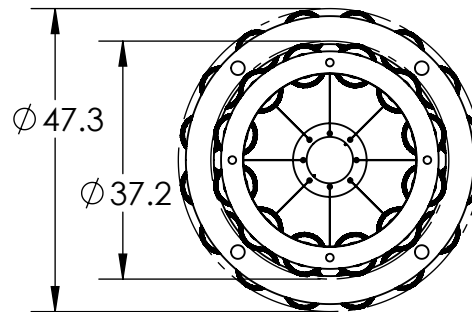


Mounting Detail
Mounts to Building Structure



PRODUCT DESCRIPTION

A modern fusion of geometric form and organic design, the Vessel Two-Tier Ring Chandelier provides a captivating play of light and shadow that brings visual intrigue and sophistication to today's interiors. Vessel lighting is illuminated with 93+ CRI integrated LED and includes a choice of glass colors, finishes and color temperature options.

PRODUCT SPECIFICATION

Construction: Steel Body with Blown Glass

Finish Options: BS MB FB GB CS GP BB NB SN GM RB HB

Glass Options: A B C S

Suspension Method: Ceiling Mount

Weight(lbs.): 139

UL Rating: Indoor/Dry

Top Diffuser: Closed Glass

Bottom Diffuser: Frosted Acrylic

Light Source: LED

Electrical Qty: 36

Wattage (Watts):83

Voltage (Volts): 120

Source Lumens: 7247

Dimming: Forward/Reverse Phase to 1%

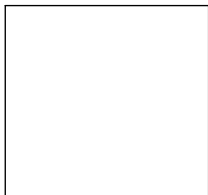
CCT: 2700k or 3000K

Driver Quantity & Location: 4 in Canopy

CRI: 93+

Power Factor: >0.9

SCAN FOR MORE
INFORMATION



GENERAL NOTES:

All dimensions are shown in inches unless otherwise stated.

Visit studio.hammerton.com to read about our Lifetime Limited Warranty.

This product may use mixed materials like steel and aluminum in its construction. Transparent finishes may vary between steel and aluminum.

All Hammerton fixtures are handcrafted by artisans. Subtle imperfections reflect the mark of the artisan and should be expected in any handcrafted product. Dimensions may vary up to 7/8".

© Copyright 2023. All rights in design, detail or invention of this drawing are reserved as the property of Hammerton. Any imitation or adaptation without written consent is strictly prohibited.
Hammerton Inc. 217 Wright Brothers Dr. Salt Lake City, UT 84116 (801)973-8095 | studio.hammerton.com | info@hammerton.com