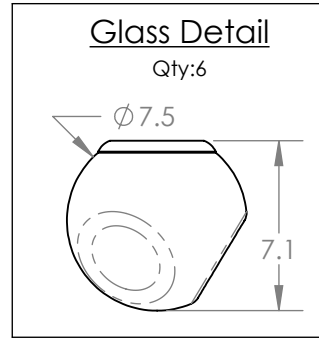
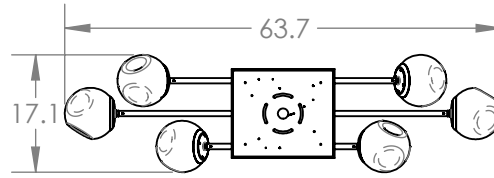
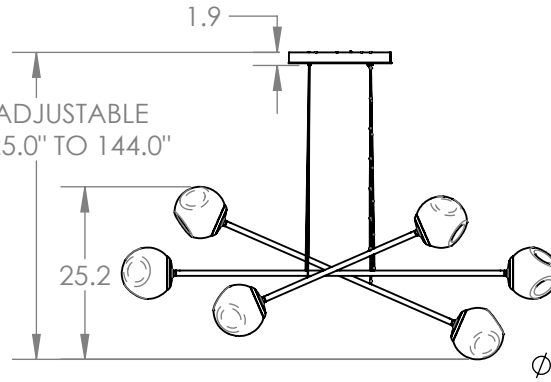


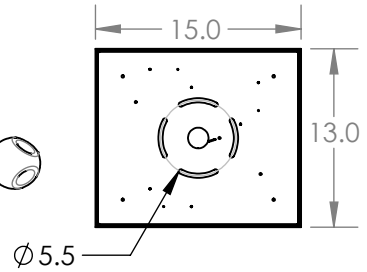
INNER CAST GLASS DIFFUSER OPTIONS



OAH ADJUSTABLE FROM 25.0" TO 144.0"



Mounting Detail
Mounts to Building Structure



PRODUCT DESCRIPTION

This dramatic linear chandelier showcasing our artisan blown Luna glass allows for customization of the angle and height of each rod. More dramatic angles and separation between rods may be ideal for modern spaces and higher ceilings, while a tighter silhouette better suits softer contemporary spaces or lower ceilings. Includes integrated LED.

PRODUCT SPECIFICATION

- Construction: Steel and Blown Glass
- Finish Options:
- Glass Options:
- Suspension Method: Steel Cable
- Weight (lbs.): 52
- UL Rating: Indoor/Dry
- Top Diffuser: Blown Glass
- Bottom Diffuser: N/A
- Light Source: LED
- Electrical Qty: 6
- Wattage (Watts): 31
- Voltage (Volts): 120
- Source Lumens: 2522
- Dimming: Forward/Reverse Phase to 1%
- CCT: 2700k or 3000K
- Driver Quantity & Location: 3 in Canopy
- CRI: 93+
- Power Factor: >0.9

SCAN FOR MORE INFORMATION



GENERAL NOTES:

All dimensions are shown in inches unless otherwise stated. Visit studio.hammerton.com to read about our Lifetime Limited Warranty. This product may use mixed materials like steel and aluminum in its construction. Transparent finishes may vary between steel and aluminum. Hammerton products are made by artisans, not machines. A close inspection may reveal subtle variations and imperfections in glass, metal and other handcrafted materials that reflect the mark of the maker. They should be expected and celebrated.