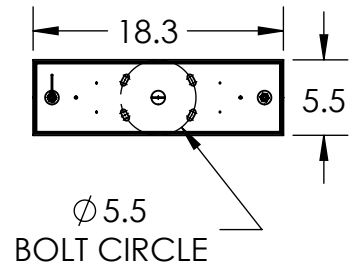
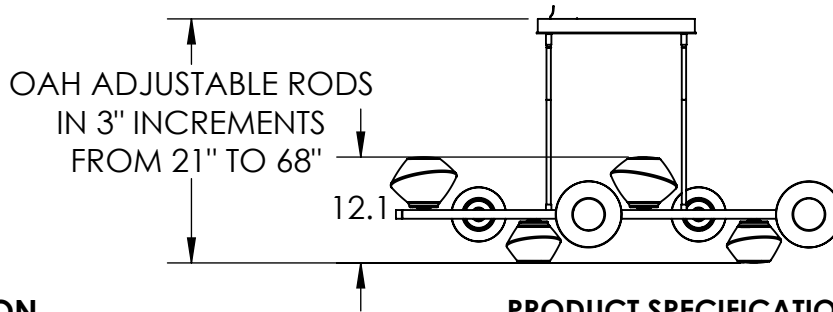


**Mounting Detail**

MOUNTS TO BUILDING STRUCTURE



**PRODUCT DESCRIPTION**

Beautifully striated diffusers in LED-illuminated and artisan blown crystal glass evoke the rugged beauty of iconic Southwest landscapes in the Mesa Twisted Branch Chandelier. Each is handcrafted by Hammerton artisans from up to five pounds of molten glass and is illuminated with 93+ CRI integrated LED.

**PRODUCT SPECIFICATION**

Construction: Blown Glass, Aluminum Body, Aluminum Rods

Finish Options:  BS  MB  FB  GB  CS  GP  BB  NB

Glass Options:  A  B  C  S

Suspension Method: Ceiling Mount

Weight(lbs.): 20Lbs

UL Rating: Indoor/Dry

Top Diffuser: Closed Glass

Bottom Diffuser: Closed Glass

Light Source: LED

Electrical Qty: 8

Wattage (Watts):21W

Voltage (Volts): 120V

Source Lumens: 1866

Dimming: Forward/Reverse Phase to 1%

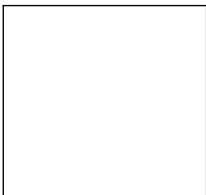
CCT: 2700K or 3000K

Driver Quantity & Location: 1, in Canopy

CRI: 93+

Power Factor: >0.9

SCAN FOR MORE INFORMATION



**GENERAL NOTES:**

All dimensions are shown in inches unless otherwise stated. Visit [studio.hammerton.com](http://studio.hammerton.com) to read about our Lifetime Limited Warranty. This product may use mixed materials like steel and aluminum in its construction. Transparent finishes may vary between steel and aluminum. Hammerton products are made by artisans, not machines. A close inspection may reveal subtle variations and imperfections in glass, metal and other handcrafted materials that reflect the mark of the maker. They should be expected and celebrated.