

PRODUCT DESCRIPTION

The Gem Twisted Branch Chandelier seamlessly fuses several design elements into one bold look. An intriguing juxtaposition of modern and geometric design, this versatile linear fixture offers a playful yet sophisticated look that suits a wide range of interior styles.

PRODUCT SPECIFICATION

Construction: Blown Glass, Aluminum Body, Aluminum Rods

Finish Options: BS MB FB GB CS GP BB NB

Glass Options: A B C S

Suspension Method: Ceiling Mount

Weight (lbs.): 20Lbs

UL Rating: Indoor/Dry

Top Diffuser: Closed Glass

Bottom Diffuser: Closed Glass

Light Source: LED

Electrical Qty: 10

Wattage (Watts): 26W

Voltage (Volts): 120V

Source Lumens: 2332

Dimming: Forward/Reverse Phase to 1%

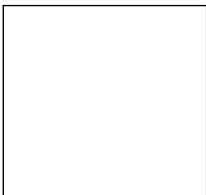
CCT: 2700K or 3000K

Driver Quantity & Location: 2, in Canopy

CRI: 93+

Power Factor: >0.9

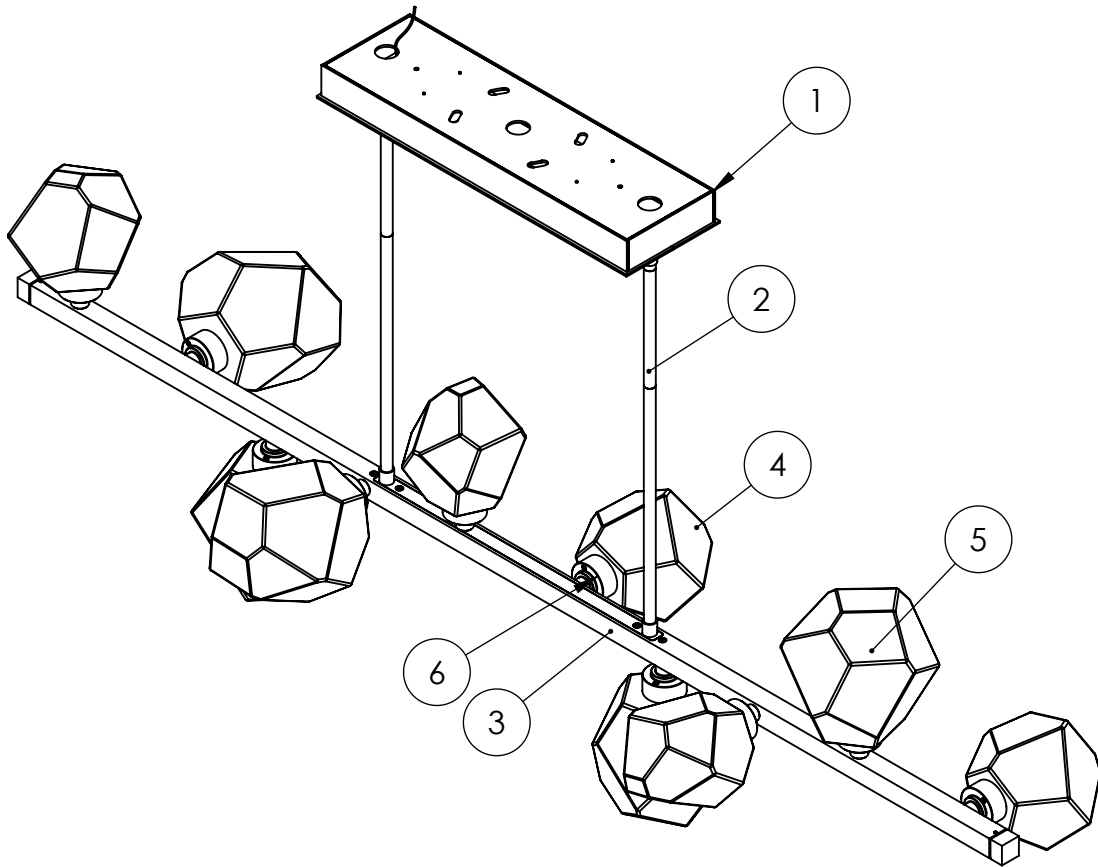
SCAN FOR MORE INFORMATION

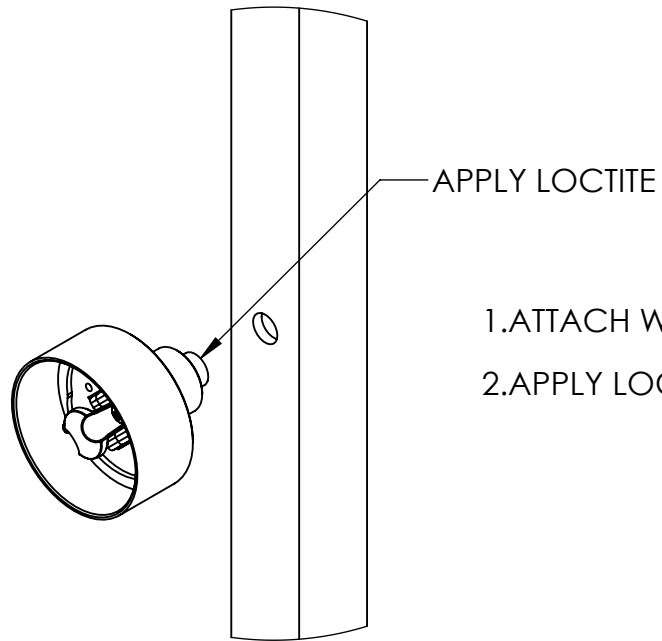


GENERAL NOTES:

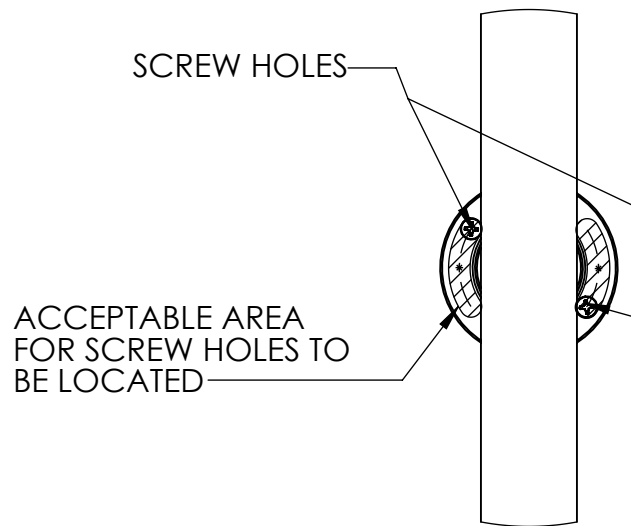
All dimensions are shown in inches unless otherwise stated. Visit studio.hammerton.com to read about our Lifetime Limited Warranty. This product may use mixed materials like steel and aluminum in its construction. Transparent finishes may vary between steel and aluminum. Hammerton products are made by artisans, not machines. A close inspection may reveal subtle variations and imperfections in glass, metal and other handcrafted materials that reflect the mark of the maker. They should be expected and celebrated.

NO.	PART NUMBER	QTY	DESCRIPTION	STOCKED	FINISH
1	22-014-00229	1	Canopy for Rod Suspended Linear Fixtures	BUILT	PAINT
2	22-013-00775	2	Branch Threaded Rod Assembly - Aluminum - No Canopy or Coupler-UNFINISHED	Y	PAINT
3	22-014-00298	1	Twisted Branch Light Body Assembly, Large	BUILT	SEE DETAIL
4	32-002-062XX - SMALL	5	Gem Blown Glass - Small - Belvedere - See Traveler for glass type	BUILT	SEE DETAIL
5	32-002-062XX - MEDIUM	5	Gem Blown Glass - Medium - Belvedere - See Traveler for glass type	BUILT	SEE DETAIL
6	22-014-00308	10	Belvedere Cup Assembly with Light Diffuser	SEE DETAIL	SEE DETAIL





1. ATTACH WIRES TO LED ASSEMBLY
2. APPLY LOCTITE TO IP THREADS



3. CLOCK SCREW HOLES SO THEY ARE NOT COVER BY THE LIGHT BODY. SLIGHTLY LOOSE IS ACCEPTABLE IF THERE IS NO ORIENTATION THAT DOES NOT BLOCK THE SCREW HOLES.

PRODUCT REVISIONS

REV.	DESCRIPTION	Drawn By:	Drawn Date:
A	INITIAL RELEASE	TMN	5/18/2022

UL MANUFACTURING STICKER

**HAMMERTON
LED-01 SERIES
MAX 120 Vac, 50/60 Hz, 255 mA
DRY LOCATIONS ONLY
MFG DATE YEAR: 20 21 22 23 24 25
MONTH: 1 2 3 4 5 6 7 8 9 10 11 12**

SPECIAL INFORAMTION