



PRODUCT DESCRIPTION

A modern reinterpretation of the classic blown glass shade, the Luna Twisted Vine Chandelier replaces the traditional filament bulb with LED-illuminated artisan cast glass diffusers in a choice of three diffuser styles. Includes 93+ CRI integrated LED.

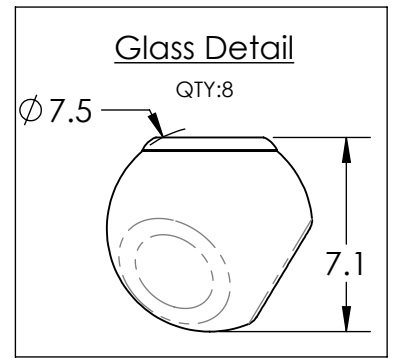
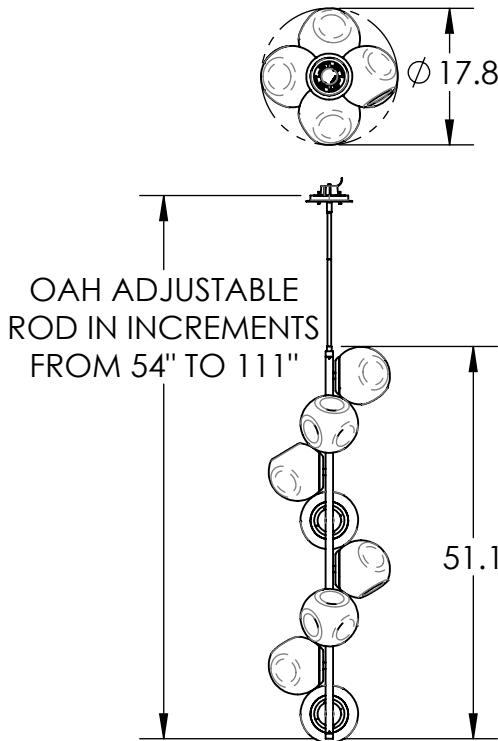
SCAN FOR MORE INFORMATION



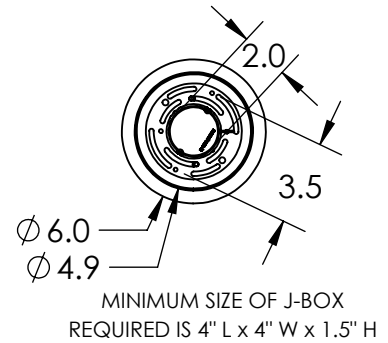
GENERAL NOTES:

All dimensions are shown in inches unless otherwise stated. Visit studio.hammerton.com to read about our Lifetime Limited Warranty. This product may use mixed materials like steel and aluminum in its construction. Transparent finishes may vary between steel and aluminum. Hammerton products are made by artisans, not machines. A close inspection may reveal subtle variations and imperfections in glass, metal and other handcrafted materials that reflect the mark of the maker. They should be expected and celebrated.

© Copyright 2023. All rights in design, detail or invention of this drawing are reserved as the property of Hammerton. Any imitation or adaptation without written consent is strictly prohibited. Hammerton Inc. 217 Wright Brothers Dr. Salt Lake City, UT 84116 (801)973-8095 | studio.hammerton.com | info@hammerton.com



Mounting Detail
MOUNTS TO J-BOX



PRODUCT SPECIFICATION

Construction: Blown Glass, Aluminum Body, Aluminum Rods

Finish Options:

BS	MB	FB	GB	CS	GP	BB	NB
----	----	----	----	----	----	----	----

Glass Options:

A	B	C	S
---	---	---	---

Suspension Method: Ceiling Mount

Weight(lbs.): 39

UL Rating: Indoor/Dry

Top Diffuser: Closed Glass

Bottom Diffuser: Closed Glass

Light Source: LED

Electrical Qty: 8

Wattage (Watts):21W

Voltage (Volts): 120V

Source Lumens: 1866

Dimming: Forward/Reverse Phase to 1%

CCT: 2700K or 3000K

Driver Quantity & Location: 1, in J-Box

CRI: 93+

Power Factor: >0.9