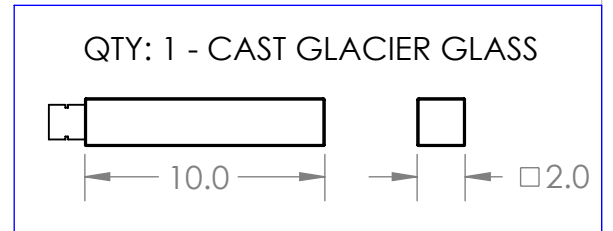
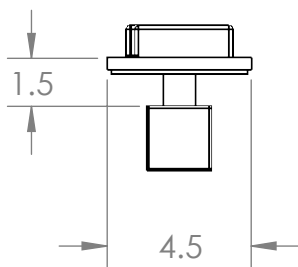
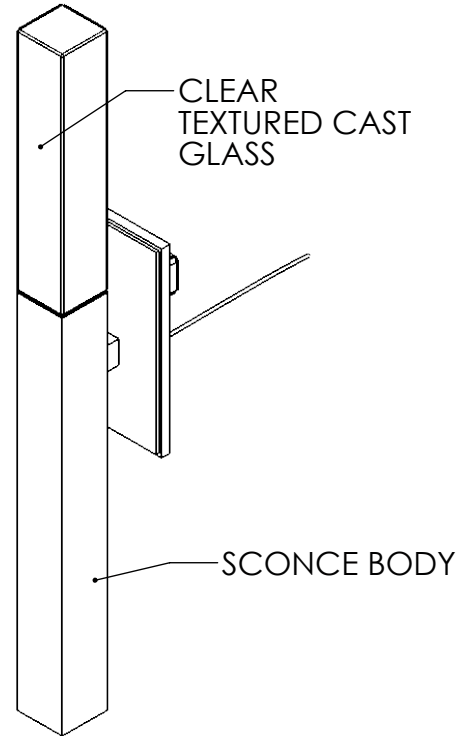
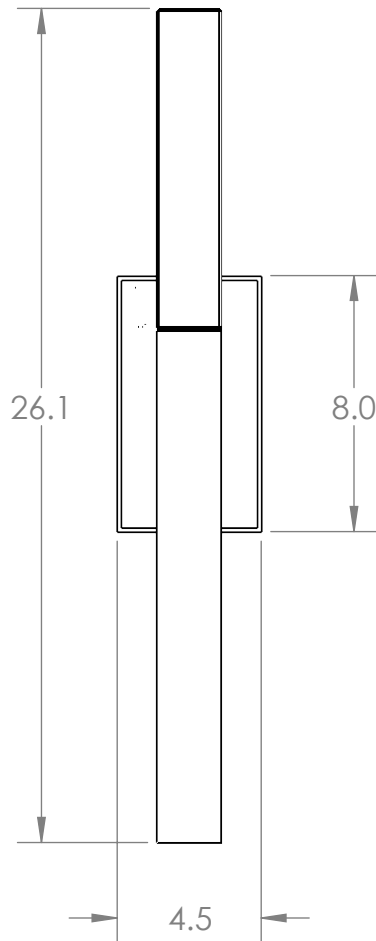


Collection: AXIS

Product #: IDB0060-26



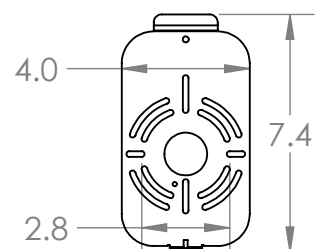
****NOTE****
DRIVER TO BE INSTALLED IN J-BOX
MINIMUM SIZE OF J-BOX REQUIRED IS
4" L x 4" W x 1.5" H

All dimensions are shown in inches unless otherwise stated.
 Visit hammertonstudio.com for product options and specifications.

2/2/2022 (E)

Mounting Packet: N	Weight(lbs.): 10	Electrical Type: LED	CCT: 2700/3000 K
UL Location: DRY		Elec. Qty: 2	Wattage: 5.2 Voltage: 120
Finish: SEE WEB SITE FOR OPTIONS		Source Lumens:	Ambient: 648 Down: 0
Top Diffuser: CAST GLASS		Dimmable:	Forward/Reverse Phase To 1%
Bottom Diffuser: CLOSED METAL		CRI: 93+	Power Factor: >0.9
All fixtures created by Hammerton are handcrafted by artisans. Dimensions may vary up to 7/8".			
© Copyright 2021. All rights in design, detail or invention of this drawing are reserved as the property of Hammerton. Any imitation or adaptation without written consent is strictly prohibited.			
Hammerton Inc. 217 Wright Brothers Dr. Salt Lake City, UT 84116 (801)973-8095			

Mounting Detail



MOUNTS DIRECTLY TO J-BOX