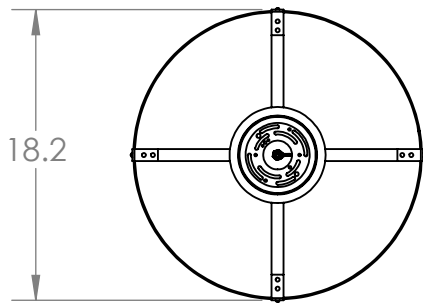
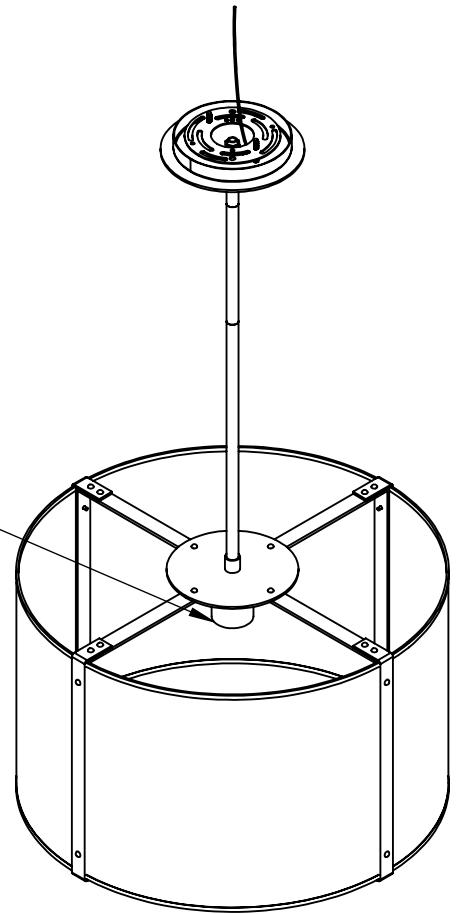


Collection: UPTOWN MESH

Product #: CHB0019-18-0

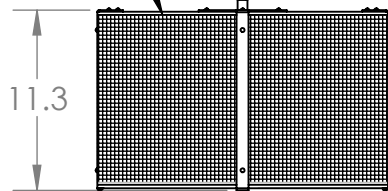


EXPOSED LAMPING



OAH ADJUSTABLE  
IN 3" INCREMENTS  
FROM 18.4" TO 72.4"

FINE MESH



*Bulbs Not Included*

Visit [studio.hammerton.com](http://studio.hammerton.com) for product options and specifications.

8/6/2023 (B)

Mounting Packet: Y	Electrical Type:	<p><u>Mounting Detail</u></p> <p>Ø 6.0      Ø 2.75</p>
Approximate lbs.: 11	Bulb Qty: 1    Bulb Type: A19	
Finish: SEE WEB SITE FOR OPTIONS	Wattage: 100      Voltage: 120	
Top Diffuser: OPEN	Socket Type: E26	
Bottom Diffuser: OPEN	UL Location: DRY	
All fixtures created by Hammerton are handcrafted by artisans. Dimensions may vary up to 7/8".		

© Copyright 2016. All rights in design, detail or invention of this drawing are reserved as the property of Hammerton. Any imitation or adaptation without written consent is strictly prohibited.

Hammerton Inc. 217 Wright Brothers Dr. Salt Lake City, UT 84116 (801)973-8095

MOUNTS DIRECTLY TO J-BOX