

PAVE



TETRO



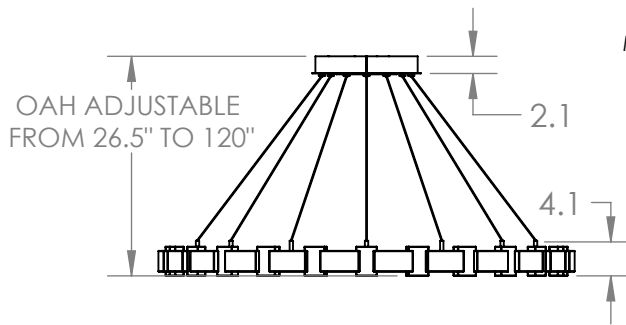
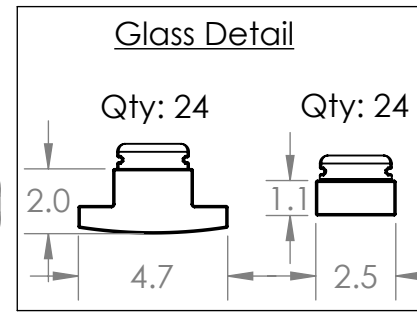
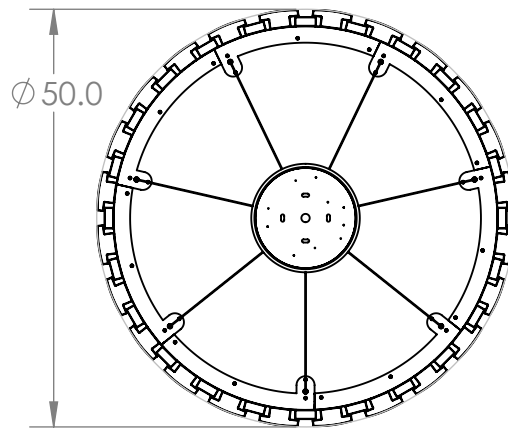
FACET



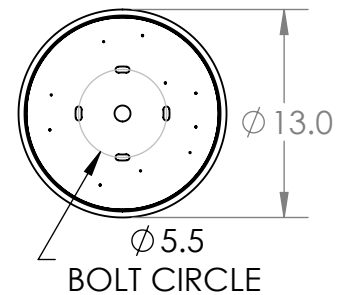
ORB



WAVE



Mounting Detail
MOUNTS TO BUILDING STRUCTURE



PRODUCT DESCRIPTION

The 2,500-year old art of glass mosaic tiling is brilliantly brought to light in the TESSERA 38 inch Ring Chandelier. TESSERA lighting features a choice of five tile motifs in artisan cast crystal glass and is illuminated with 93+ CRI integrated LED.

PRODUCT SPECIFICATION

Construction: Steel Body With Cast Glass, Suspended By Cable

Finish Options: BS MB FB GB CS GP BB NB

Glass Options: Clear Cast Glass

Suspension Method: Ceiling Mount

Weight (lbs.): 141 lbs

UL Rating: Indoor/Dry

Top Diffuser: Closed, Metal

Bottom Diffuser: Closed, Frosted Acrylic

Light Source: LED

Electrical Qty: 7

Wattage (Watts): 86

Voltage (Volts): 120

Source Lumens: 6656

Dimming: Forward/Reverse Phase to 1%

CCT: 3000K

Driver Quantity & Location: 3, In Canopy

CRI: 93+

Power Factor: >0.9

SCAN FOR MORE INFORMATION



GENERAL NOTES:

All dimensions are shown in inches unless otherwise stated.

Visit studio.hammerton.com to read about our Lifetime Limited Warranty.

This product may use mixed materials like steel and aluminum in its construction. Transparent finishes may vary between steel and aluminum.

All Hammerton fixtures are handcrafted by artisans. Subtle imperfections reflect the mark of the artisan and should be expected in any handcrafted product. Dimensions may vary up to 7/8".

© Copyright 2022. All rights in design, detail or invention of this drawing are reserved as the property of Hammerton. Any imitation or adaptation without written consent is strictly prohibited. Hammerton Inc. 217 Wright Brothers Dr. Salt Lake City, UT 84116 (801)973-8095 | studio.hammerton.com | info@hammerton.com