

PAVE

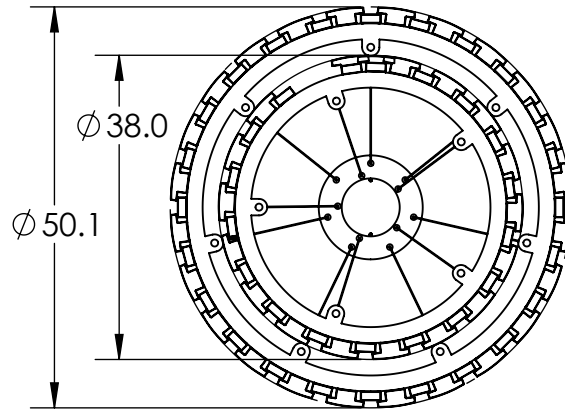
TETRO



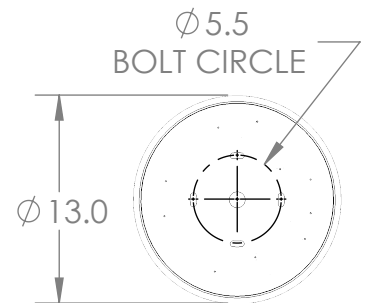
FACET

ORB

WAVE



Mounting Detail  
Mounts to Building Structure



**PRODUCT DESCRIPTION**

The 2,500-year old art of glass mosaic tiling is brilliantly brought to light in the TESSERA Double Ring Chandelier. TESSERA lighting features a choice of five tile motifs in artisan cast crystal glass and is illuminated with 93+ CRI integrated LED.

**PRODUCT SPECIFICATION**

Construction: Steel Body With Cast Glass, Suspended By Cable

Finish Options: BS MB FB GB CS GP BB NB

Glass Options: Clear Cast Glass

Suspension Method: Ceiling Mount

Weight (lbs.): 237

UL Rating: Indoor/Dry

Top Diffuser: Closed Metal

Bottom Diffuser: Closed Frosted Acrylic

Light Source: LED

Electrical Qty: 16

Wattage (Watts): 141

Voltage (Volts): 120

Source Lumens: 11462

Dimming: Forward/Reverse Phase to 1%

CCT: 3000K

Driver Quantity & Location: 5, in Canopy

CRI: 93+

Power Factor: >0.9

SCAN FOR MORE INFORMATION



**GENERAL NOTES:**

All dimensions are shown in inches unless otherwise stated. Visit [studio.hammerton.com](http://studio.hammerton.com) to read about our Lifetime Limited Warranty. This product may use mixed materials like steel and aluminum in its construction. Transparent finishes may vary between steel and aluminum. Hammerton products are made by artisans, not machines. A close inspection may reveal subtle variations and imperfections in glass, metal and other handcrafted materials that reflect the mark of the maker. They should be expected and celebrated.