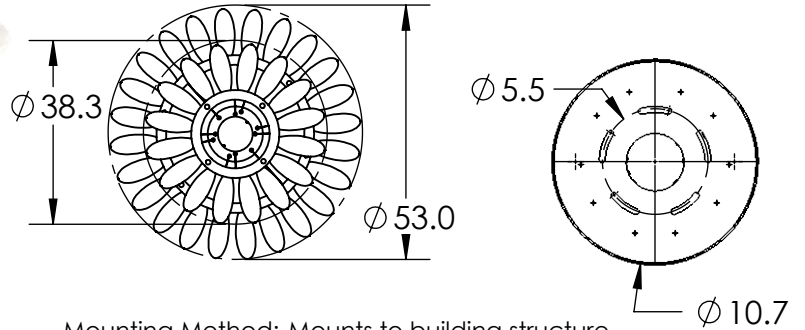
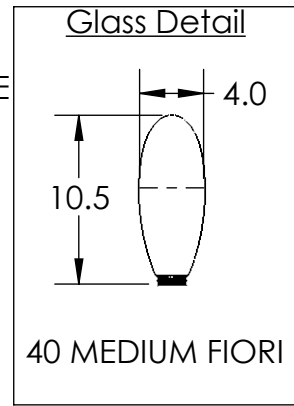
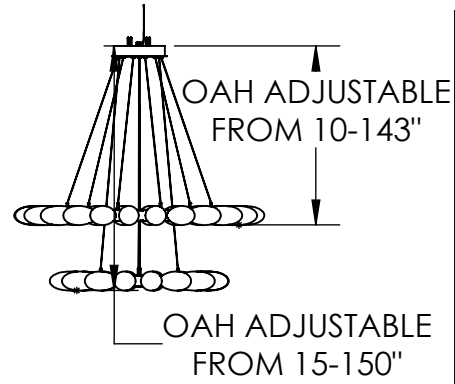
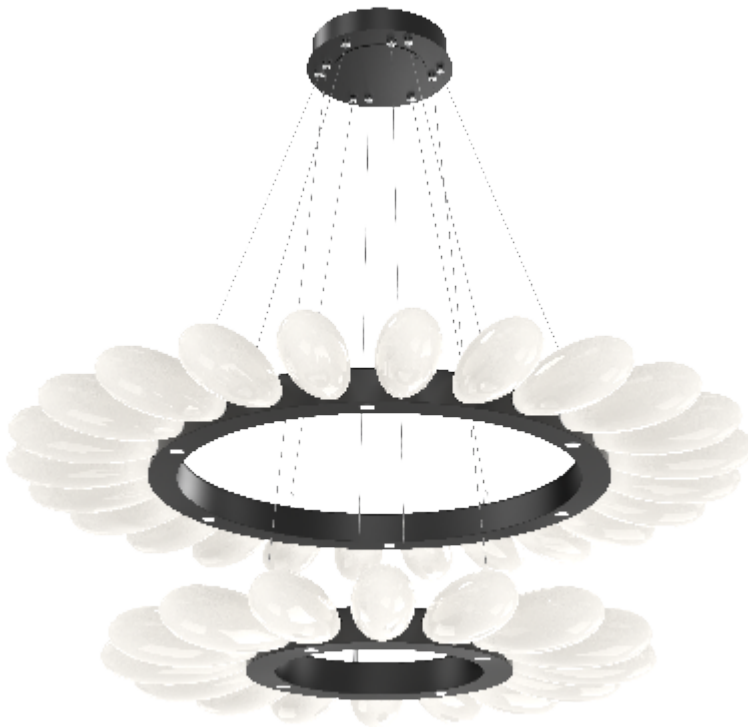


All dimensions are shown in inches unless otherwise stated.



Mounting Method: Mounts to building structure

PRODUCT DESCRIPTION

Lustrous white buds of artisan blown glass offer a playful reinterpretation of mid-century style in this dramatic 56" diameter two-tier ring chandelier. Integrated LED light gives the glass a rich luster and opacity that's reminiscent of mid-century Italian art glass.

PRODUCT SPECIFICATION

Construction: Steel Body, Steel Cord, Blown Glass

Finish Options: BS MB FB GB CS GP BB NB SN GM RB HB

Glass Options: White Glass

Suspension Method: Ceiling Mount

Weight(lbs.): 111

UL Rating: DRY

Top Diffuser: Open

Bottom Diffuser: Open

Light Source: LED

Electrical Qty: 50

Wattage (Watts):90

Voltage (Volts): 120

Source Lumens: 6715

Dimming: Forward/Reverse Phase to 1%

CCT: 2700/3000K

Driver Quantity & Location: 5, in Canopy

CRI: 93+

Power Factor: >0.9

*Translucent finish upgrade available for additional charge

SCAN FOR MORE INFORMATION

Notes:

GENERAL NOTES:

Visit studio.hammerton.com to read about our Lifetime Limited Warranty.

This product may use mixed materials (steel and aluminum) in its construction. Transparent finishes may vary between steel and aluminum.

All Hammerton fixtures are handcrafted by artisans. Subtle imperfections reflect the mark of the artisan and should be expected in any handcrafted product. Dimensions may vary up to 7/8".

Rev © 9/27/2022