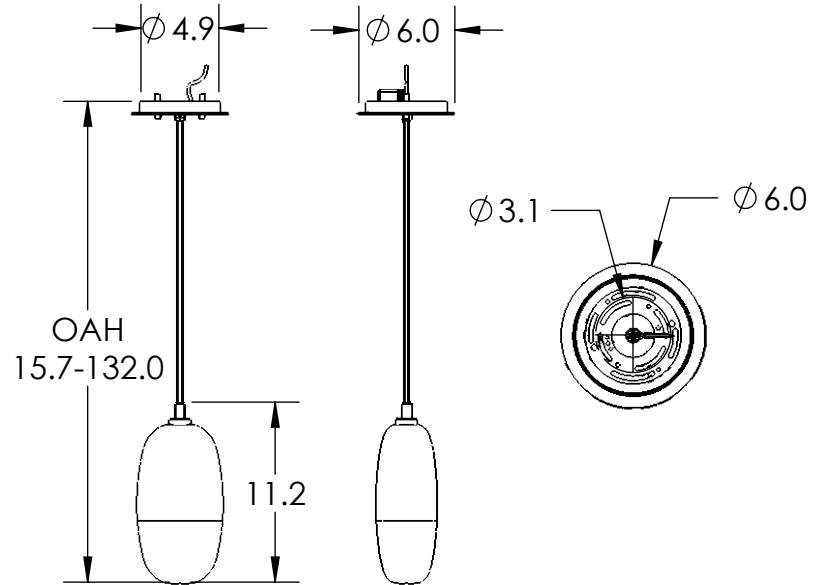


All dimensions are shown in inches unless otherwise stated.



Mounting Method: J-Box Ceiling Mount. **Minimum J-Box Size Requirement is 4" W, 4" L, 1.5" D**

PRODUCT DESCRIPTION

Inspired both by nature and classic jewelry, this deceptively simple 16"H pendant nods equally to contemporary and modern style. Beautifully finished precision metalwork provides the perfect foil for a softly curved rondelle of LED-illuminated artisan cast glass. Offered in 2,700k and 3,000K CCT and a selection of metallic finishes.

PRODUCT SPECIFICATION

Construction: Aluminum Body With Casted Glass

Finish Options: **BB CS FB GB GP MB BS NB**

Glass Options: Clear Cast Glass

Suspension Method: Ceiling Mount

Weight(lbs.): 9

UL Rating: Indoor/Dry

Top Diffuser: Closed Metal

Bottom Diffuser: Closed Glass

Light Source: LED

Electrical Qty: 1

Wattage (Watts): 4.5

Voltage (Volts): 120

Source Lumens: 420

Dimming: Forward/Reverse Phase

CCT: 2700K or 3000K

Driver Quantity & Location: 1, in J-Box

CRI: 93+

Power Factor: >0.9

SCAN FOR MORE INFORMATION

Notes:

GENERAL NOTES:

Visit studio.hammerton.com to read about our Lifetime Limited Warranty.

This product may both use mixed materials (steel and aluminum) in its construction. Transparent finishes may vary between steel and aluminum.

All Hammerton fixtures are handcrafted by artisans. Subtle imperfections reflect the mark of the artisan and should be expected in any handcrafted product. Dimensions may vary up to 7/8".

Rev (B) 7/12/2022