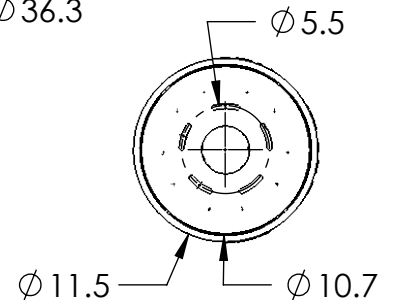
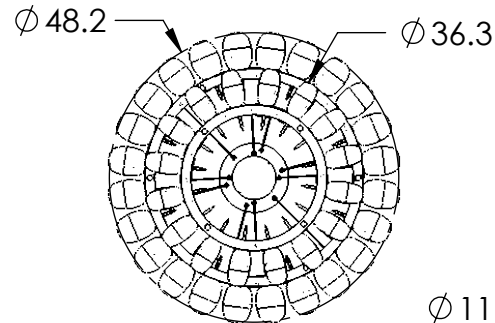
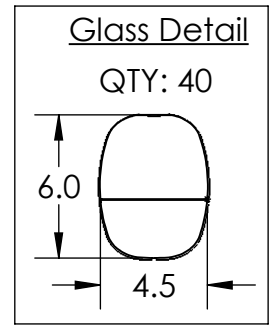
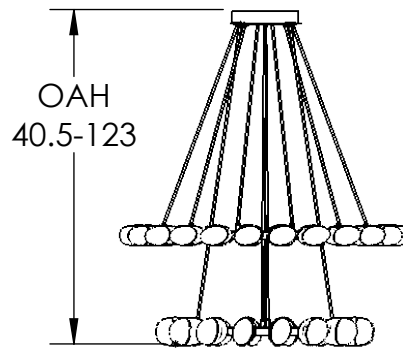


All dimensions are shown in inches unless otherwise stated.



Mounting Method: MOUNTS TO J-BOX AND CEILING

**PRODUCT DESCRIPTION**

A versatile ceiling fixture suitable for contemporary and modern spaces, this simple yet elegant chandelier design juxtaposes beautifully finished precision metalwork with softly illuminated rondelles of artisan cast glass, each handcrafted in Hammerton's glass studio. The glass housings can be positioned at preset angles. Offered in 2, 700k and 3,000K CCT and a selection of metallic finishes.

**PRODUCT SPECIFICATION**

Construction: Aluminum Body With Cast Glass

Finish Options: BB CS FB GB GP MB BS NB

Glass Options: Clear Chilled

Suspension Method: Ceiling

Weight (lbs.): 168

UL Rating: Indoor/Dry

Top Diffuser: Closed Metal

Bottom Diffuser: Closed Glass

Light Source: LED

Electrical Qty: 50

Wattage (Watts): 88

Voltage (Volts): 120

Source Lumens: 8144

Dimming: Forward/Reverse Phase

CCT: 2700K or 3000K

Driver Quantity & Location: 5 in Canopy

CRI: 93+

Power Factor: >0.9

SCAN FOR MORE INFORMATION

Notes:

**GENERAL NOTES:**

Visit [studio.hammerton.com](http://studio.hammerton.com) to read about our Lifetime Limited Warranty.

This product may use mixed materials (steel and aluminum) in its construction. Transparent finishes may vary between steel and aluminum.

All Hammerton fixtures are handcrafted by artisans. Subtle imperfections reflect the mark of the artisan and should be expected in any handcrafted product. Dimensions may vary up to 7/8".

Rev <sup>Ⓐ</sup> 5/31/2022