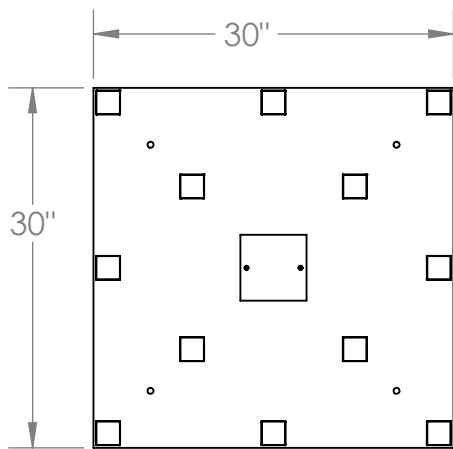
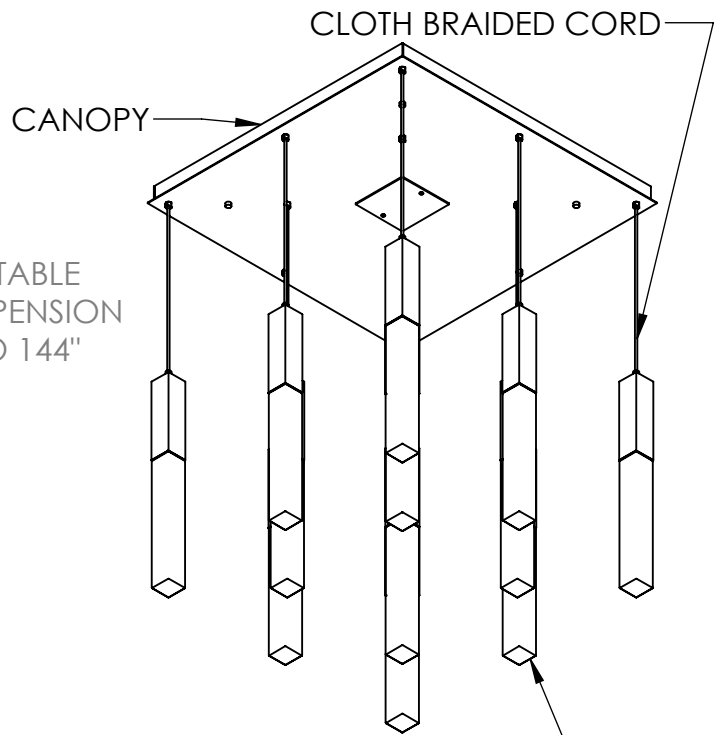
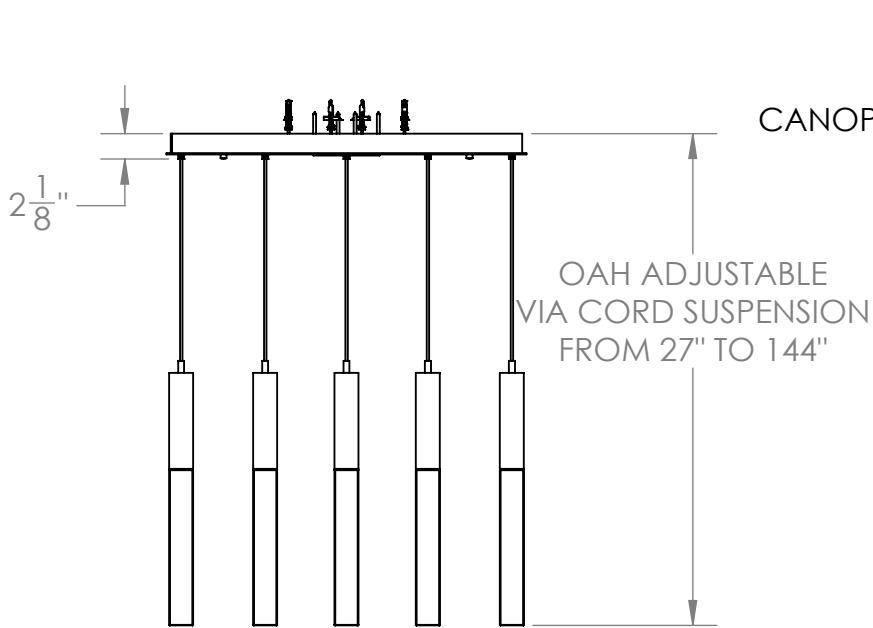


Collection: AXIS

Product #: CHB0060-12



ALL DIMENSIONS ARE IN INCHES UNLESS STATED OTHERWISE
 Visit hammertonstudio.com for product options and specifications.

2/23/2022 (B)

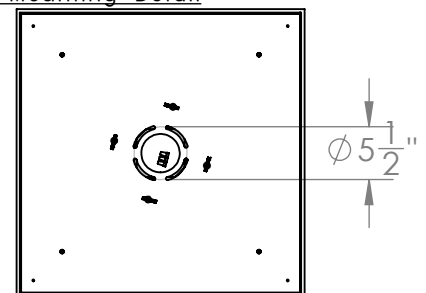
Mounting Packet: R	Weight(lbs.): 134	Electrical Type: LED	CCT: 2700/3000 K
UL Location: DRY		Elec. Qty: 12	Wattage: 63 Voltage: 120
Finish: SEE WEB SITE FOR OPTIONS		Source Lumens:	Ambient:5043 Down:0
Top Diffuser: N/A		Dimmable: Forward/Reverse Phase To 1%	
Bottom Diffuser: CAST GLASS		CRI: 93+	Power Factor: >0.9

All fixtures created by Hammerton are handcrafted by artisans. Dimensions may vary up to 7/8".

© Copyright 2021. All rights in design, detail or invention of this drawing are reserved as the property of Hammerton. Any imitation or adaptation without written consent is strictly prohibited.

Hammerton Inc. 217 Wright Brothers Dr. Salt Lake City, UT 84116 (801)973-8095

Canopy Mounting Detail



MOUNTS TO BUILDING STRUCTURE