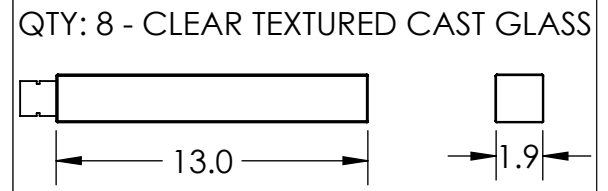
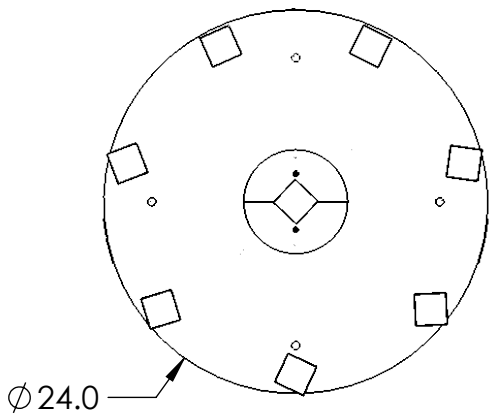
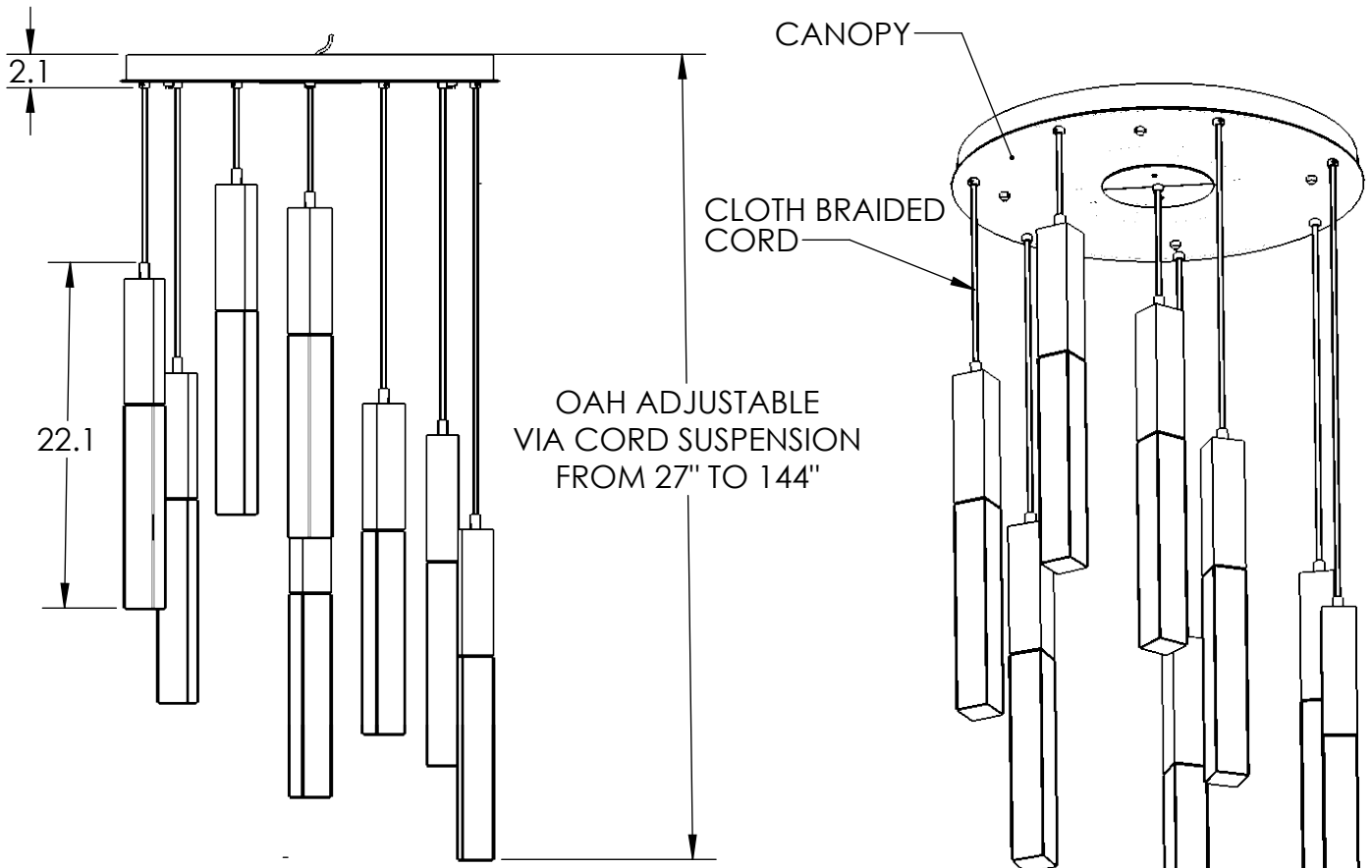


Collection: AXIS

Product #: CHB0060-08



Visit [hammertonstudio.com](http://hammertonstudio.com) for product options and specifications.

7/29/2021 ©

Mounting Packet: R	Weight(lbs.): 76	Electrical Type: LED	CCT: 2700 K	Mounting Detail	
UL Location: DRY		Elec. Qty:8	Wattage: 31		Voltage: 120
Finish: SEE WEB SITE FOR OPTIONS		Source Lumens:	Ambient:3362		Down:0
Top Diffuser: N/A		Dimmable: Forward/Reverse Phase To 1%			
Bottom Diffuser: CAST GLASS		CRI: 93+	Power Factor: >0.9		
All fixtures created by Hammerton are handcrafted by artisans. Dimensions may vary up to 7/8".					
© Copyright 2020. All rights in design, detail or invention of this drawing are reserved as the property of Hammerton. Any imitation or adaptation without written consent is strictly prohibited.					
Hammerton Inc. 217 Wright Brothers Dr. Salt Lake City, UT 84116 (801)973-8095				MOUNTS TO BUILDING STRUCTURE	