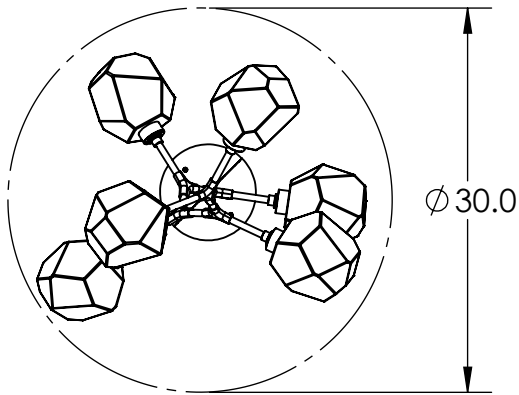
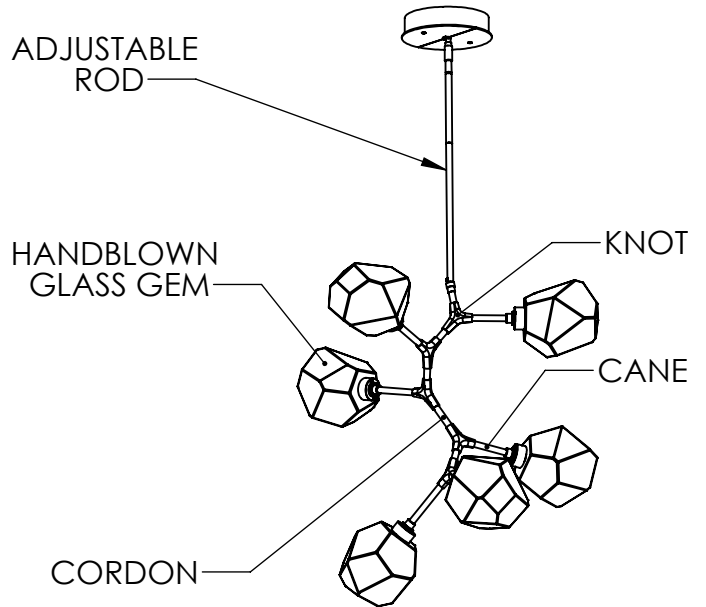
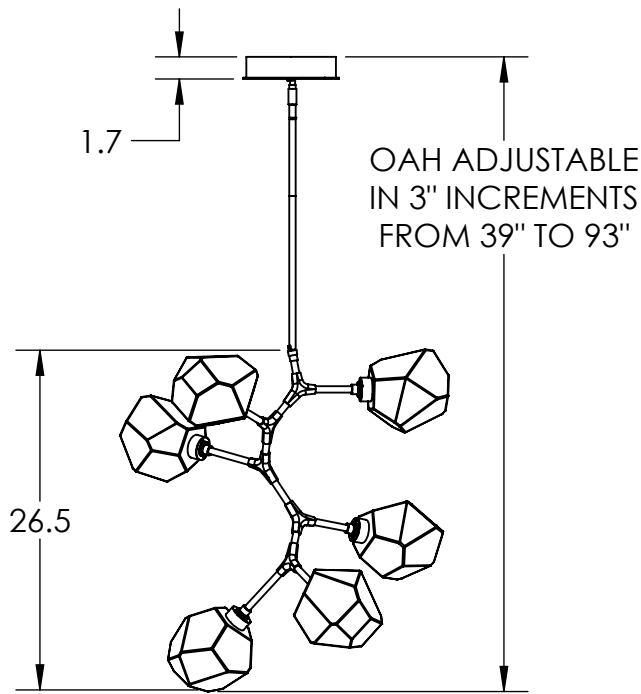
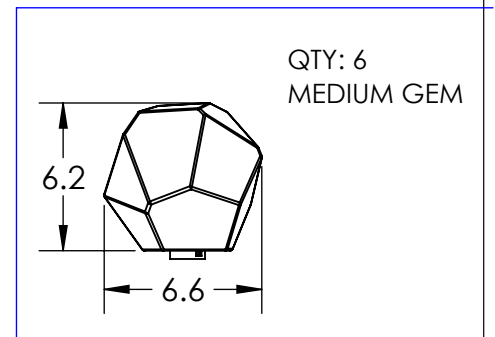


Collection: GEM

Product #: CHB0039-VA



**DIMENSIONS OF THE FIXTURE MAY VARY
BASED ON POSITION OF KNOTS**



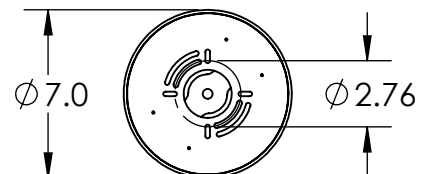
This design employs both steel and aluminum. If a translucent finish is selected, both the artisan nature of our finish process and our use of mixed metals can result in differences in paint tones within an acceptable range.

All dimensions are shown in inches unless otherwise stated.
Visit hammertonstudio.com for product options.

11/8/2021 (A)

Mounting Packet: T	Weight(lbs.): 27	Electrical Type: LED	CCT: 2700/3000 K
UL Location: DRY	Elec. Qty: 6	Wattage: 16	Voltage: 120
Finish: SEE WEB SITE FOR OPTIONS	Source Lumens:	Ambient:1080	Down:-----
Top Diffuser: CLOSED GLASS	Dimmable:	Forward/Reverse Phase To 1%	
Bottom Diffuser: CLOSED GLASS	CRI: 93+	Power Factor: >0.9	

Canopy Mounting Detail



MOUNTS DIRECTLY TO J-BOX

All fixtures created by Hammerton are handcrafted by artisans. Dimensions may vary up to 7/8".

© Copyright 2021. All rights in design, detail or invention of this drawing are reserved as the property of Hammerton. Any imitation or adaptation without written consent is strictly prohibited.

Hammerton Inc. 217 Wright Brothers Dr. Salt Lake City, UT 84116 (801)973-8095