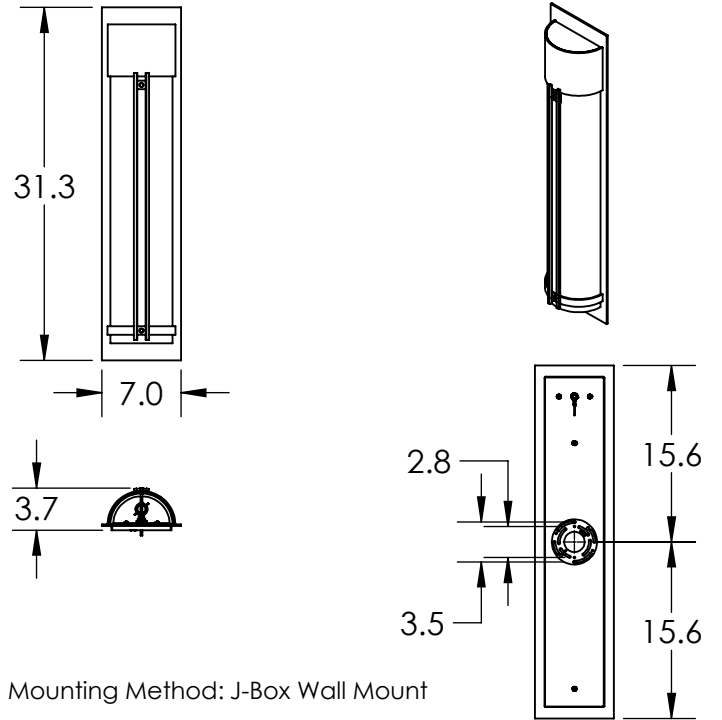


All dimensions are shown in inches unless otherwise stated.



Mounting Method: J-Box Wall Mount

PRODUCT DESCRIPTION

Bold scale and a breadth of options make this versatile ADA compliant sconce a go-to solution for most outdoor applications. The Half Round Cover sconce features a textured kiln-fused glass lens and an optional metalwork accent.

Choose from three AAMA 2604-rated all-climate finishes and three textured glass colors.

PRODUCT SPECIFICATION

Bulbs Not Included

Construction: Aluminum Body With Formed Glass

Finish Options: AG SB TB

Glass Types: BG FG SG

Suspension Method: Wall Mount

Weight(lbs.): 10

UL Rating: Wet

Top Diffuser: Closed Metal

Bottom Diffuser: Open

Light Source: Halogen/LED Retro

Bulb Qty: 1

Wattage (Watts):35

Voltage (Volts): 120

Bulb Type: MR16

Socket Type: GU10

Driver Quantity & Location: 1, in J-Box

SCAN FOR MORE INFORMATION

Notes:

GENERAL NOTES:

Visit studio.hammerton.com to read about our Lifetime Limited Warranty.

All Hammerton fixtures are handcrafted by artisans. Subtle imperfections reflect the mark of the artisan and should be expected in any handcrafted product. Dimensions may vary up to 7/8".

Rev (A) 6/21/2021