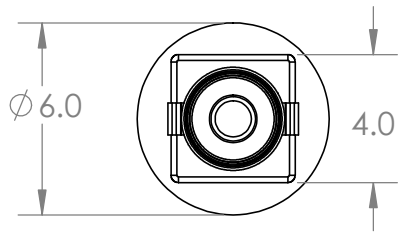
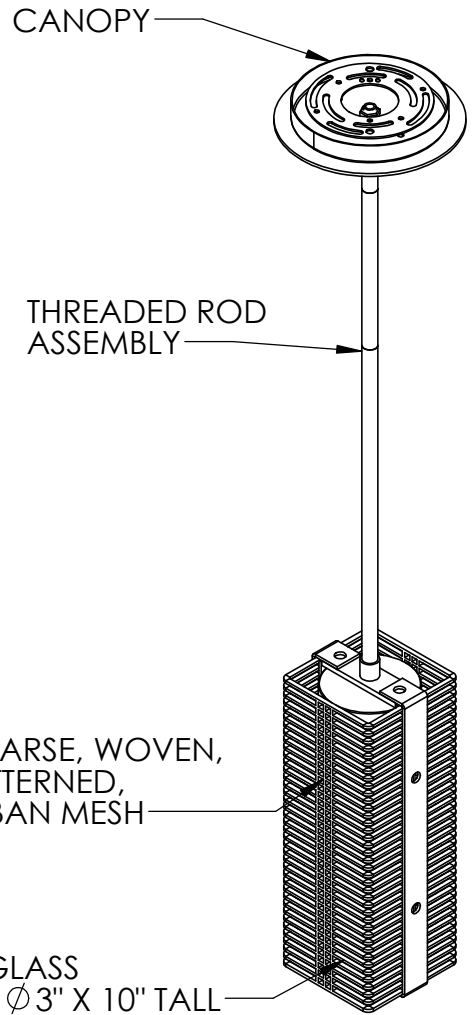
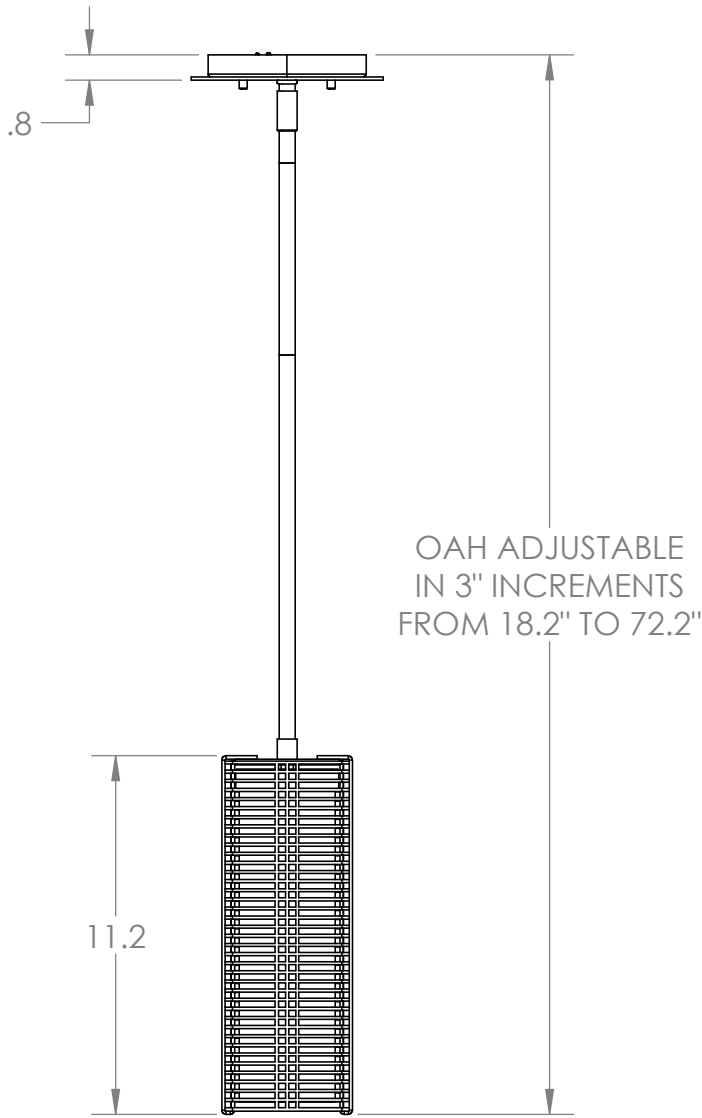


Collection: DOWNTOWN

Product #: LAB0020-11-L1



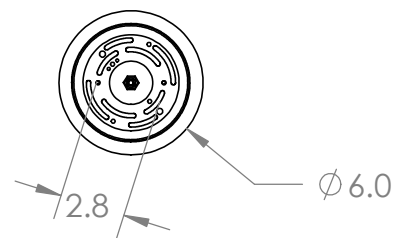
****NOTE****
DRIVER TO BE INSTALLED IN J-BOX.
MINIMUM SIZE OF J-BOX REQUIRED IS
4" L x 4" W x 1.5" H

ALL DIMENSIONS ARE IN INCHES UNLESS OTHERWISE STATED
Visit hammertonstudio.com for product options and specifications.

10/21/2021 (B)

Mounting Packet: Y	Weight(lbs.): 9	Electrical Type: LED	CCT: 2700 K
UL Location: DRY	Elec. Qty: 1	Wattage: 5.2	Voltage: 120
Finish: SEE WEB SITE FOR OPTIONS	Source Lumens: Up: N/A	Down: 340	
Top Diffuser: OPEN	Dimmable: Forward/Reverse Phase To 1%		
Bottom Diffuser: OPEN	CRI: 93+	Power Factor: >0.9	

Canopy Mounting Detail



MOUNTS DIRECTLY TO J-BOX

All fixtures created by Hammerton are handcrafted by artisans. Dimensions may vary up to 7/8".

© Copyright 2020. All rights in design, detail or invention of this drawing are reserved as the property of Hammerton. Any imitation or adaptation without written consent is strictly prohibited.