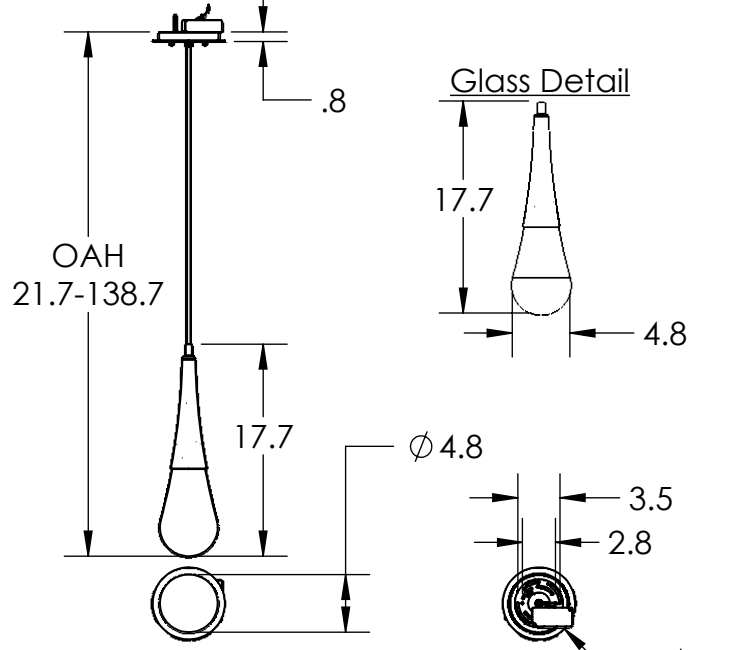


All dimensions are shown in inches unless otherwise stated.



Mounting Method: J-Box Ceiling Mount

Minimum J-Box size requirement is 4" W 4" L 1.5" D

PRODUCT DESCRIPTION

Capturing the ethereal beauty of a perfect raindrop, this eye-catching pendant seamlessly fuses sculptural metalwork with five pounds of luxuriously thick artisan blown glass. Handcrafted in the U.S. and illuminated with 93+ CRI integrated LED.

PRODUCT SPECIFICATION

Construction: Aluminum Body, Blown Glass, and Braided Cord

Finish Options:

Glass Options: Clear Blown Glass

Suspension Method: Ceiling Mount

Weight(lbs.): 10

UL Rating: Dry

Top Diffuser: Closed Metal

Bottom Diffuser: Closed Glass

Light Source: LED

Electrical Qty: 1

Wattage (Watts):6

Voltage (Volts): 120

Source Lumens: 420

Dimming: Forward/Reverse Phase to 1%

CCT: 2700K or 3000K

Driver Quantity & Location: 1, in J-Box

CRI: 93+

Power Factor: >0.9

*Coastal Metallic options are available upon request, and required for installations located within 10 miles of the ocean.

SCAN FOR MORE INFORMATION

Notes:

GENERAL NOTES:

Visit studio.hammerton.com to read our Lifetime Limited Warranty.

This product may use mixed materials like steel and aluminum in its construction. Translucent finishes may vary between steel and aluminum.

All Hammerton fixtures are handcrafted by artisans. Subtle imperfections reflect the mark of the artisan and should be expected in any handcrafted product. Dimensions may vary up to 7/8".

Rev 7/5/2022