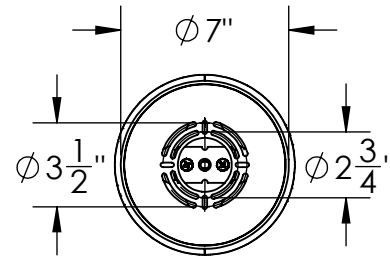
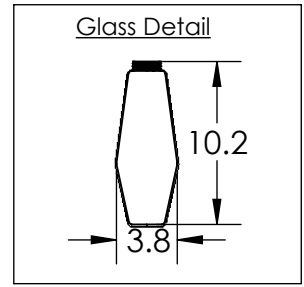
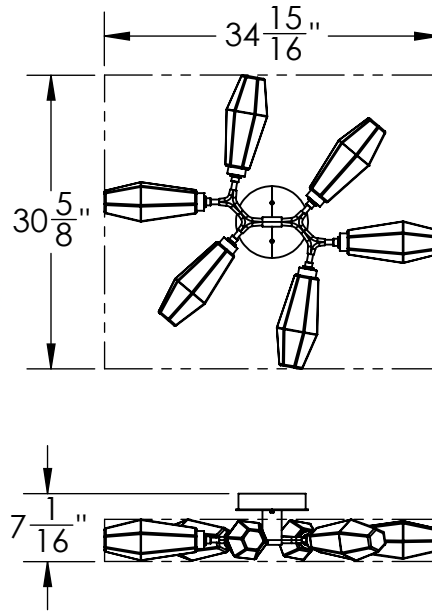


All dimensions are shown in inches unless otherwise stated.



MOUNTING PLATE

Mounting Method: J-Box Ceiling Mount

PRODUCT DESCRIPTION

An eye-catching ceiling solution, this versatile branch-style flush mount features six 'Aalto' artisan blown glass shades with a metal canopy. Integrated LED light illuminates each glass shade without the distraction of a filament bulb. Offered in four glass colors and eight finishes. Choose 2700K or 3000K CCT integrated LED.

PRODUCT SPECIFICATION

Construction: Aluminum Body, Blown Glass

Finish Options:

FB	GB	GM	HB	MB	BS	RB	SN
----	----	----	----	----	----	----	----

 Glass Options:

SG	CS	BG	AG
----	----	----	----

Suspension Method: Ceiling Mount

Weight(lbs.): 16LBS

UL Rating: Dry

Top Diffuser: Closed Glass

Bottom Diffuser: Closed Glass

Light Source: DC LED

Electrical Qty: 6

Wattage (Watts):16

Voltage (Volts): 120 V

Source Lumens: 1080

Dimming: N/A

CCT: 2700K or 3000K

Driver Quantity & Location: 1, in J-Box

CRI: 93+

Power Factor: >0.9

*Coastal Metallic options are available upon request and are required for installations located within 10 miles of the ocean.

SCAN FOR MORE INFORMATION

Notes:

GENERAL NOTES:

Visit studio.hammerton.com to read our Lifetime Limited Warranty.

This product may use mixed materials like steel and aluminum in its construction. Translucent finishes may vary between steel and aluminum.

All Hammerton fixtures are handcrafted by artisans. Subtle imperfections reflect the mark of the artisan and should be expected in any handcrafted product. Dimensions may vary up to 7/8".

Rev (A) 8/19/2021