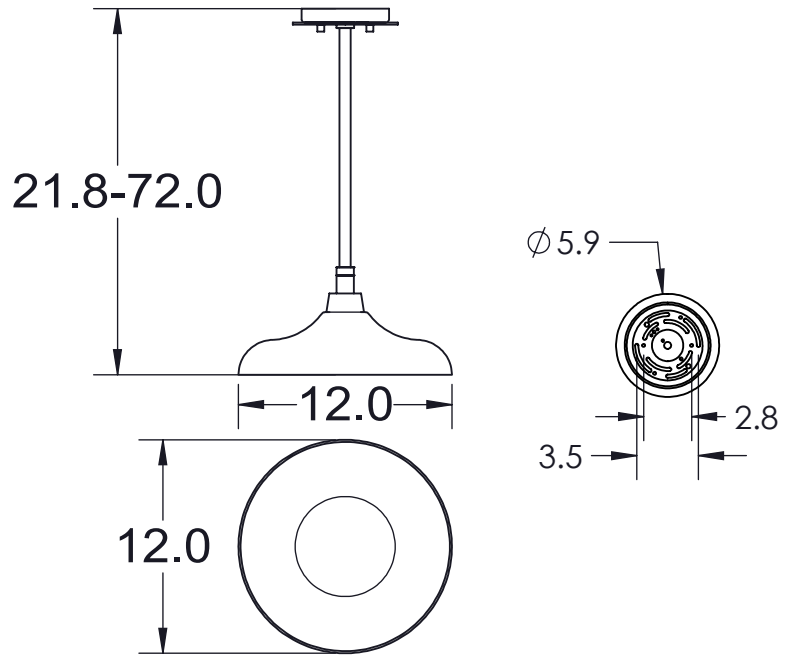


All dimensions are shown in inches unless otherwise stated.



Mounting Method: J-Box Ceiling Mount

PRODUCT DESCRIPTION

A timeless vintage look makes the Ranch Pendant suit many of today's most popular architectural styles. AC LED lamping minimizes energy consumption and fixture maintenance. Choose from three AAMA 2604-rated all-climate finishes.

The Ranch Pendant is certified as Dark Sky Compliant by the International Dark Sky Association (IDA), and it includes a lifetime warranty to the original purchaser.

PRODUCT SPECIFICATION

Construction: Aluminum Body With Blown Glass

Finish Options: **AG** **SB** **TB**

Glass Types: **F**

Suspension Method: Ceiling Mount

Weight(lbs.): 5

UL Rating: Wet

Top Diffuser: Closed

Bottom Diffuser: Closed Glass

Light Source: LED

Electrical Qty: 1

Wattage (Watts): 4.5

Voltage (Volts): 120

Source Lumens: 400

Dimming: ELV to 1%

CCT: 3000K

Driver Quantity & Location: 0

CRI: 93+

Power Factor: >0.9

SCAN FOR MORE INFORMATION



Notes:

GENERAL NOTES:

Visit studio.hammerton.com to read about our Lifetime Limited Warranty.

All Hammerton fixtures are handcrafted by artisans. Subtle imperfections reflect the mark of the artisan and should be expected in any handcrafted product. Dimensions may vary up to 7/8".

Rev (A) 6/21/2021