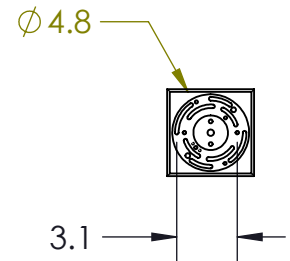
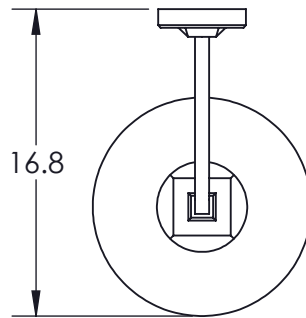
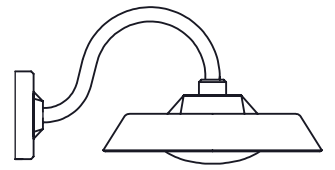
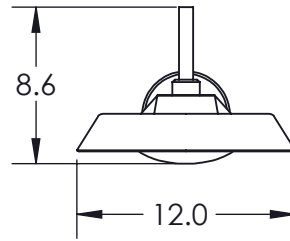


All dimensions are shown in inches unless otherwise stated.



Mounting Method: J-Box Wall Mount

**PRODUCT DESCRIPTION**

Part modern and part country, the Farmhouse Sconce combines the clean lines of contemporary design with a time-honored silhouette. AC LED lamping minimizes energy consumption and fixture maintenance.

The Farmhouse Sconce is offered in three AAMA 2604-rated finishes that withstand UV and corrosion resistance in coastal and other harsh climates, and it includes a lifetime warranty to the original purchaser.

**PRODUCT SPECIFICATION**

Construction: Aluminum Body With Blown Glass

Finish Options: **AG** **SB** **TB**

Glass Types: Opal Glass

Suspension Method: Wall Mount

Weight(lbs.): 5

UL Rating: Wet

Top Diffuser: Closed

Bottom Diffuser: Closed Glass

Light Source: LED

Electrical Qty: 1

Wattage (Watts): 4.5

Voltage (Volts): 120

Source Lumens: 400

Dimming: ELV to 1%

CCT: 3000K

Driver Quantity & Location: 0

CRI: 93+

Power Factor: >0.9

SCAN FOR MORE INFORMATION



Notes:

**GENERAL NOTES:**

Visit [studio.hammerton.com](http://studio.hammerton.com) to read about our Lifetime Limited Warranty.

All Hammerton fixtures are handcrafted by artisans. Subtle imperfections reflect the mark of the artisan and should be expected in any handcrafted product. Dimensions may vary up to 7/8".

Rev (A) 6/21/2021