

All dimensions are shown in inches unless otherwise stated.

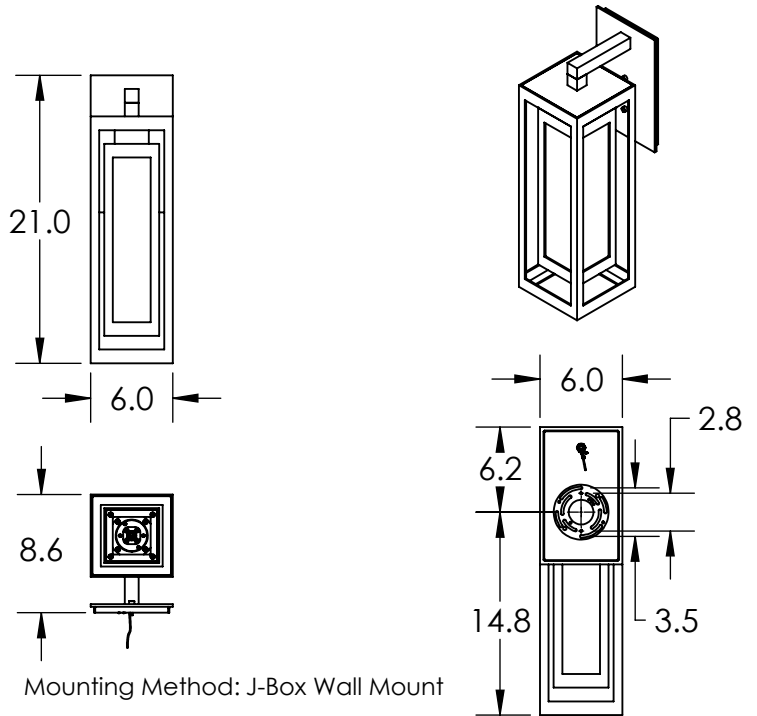


PRODUCT DESCRIPTION

Our best-selling outdoor fixture style, this contemporary lantern sconce features a nested box design with an open outer frame and a frosted glass inner lens. AC LED lamping minimizes energy consumption and fixture maintenance.

The Double Box Lantern is certified as Dark Sky Compliant by the International Dark Sky Association (IDA). It is offered in three AAMA 2604-rated finishes that withstand UV and corrosion resistance in coastal and other harsh climates, and it includes a lifetime warranty to the original purchaser.

SCAN FOR MORE INFORMATION



Mounting Method: J-Box Wall Mount

PRODUCT SPECIFICATION

Construction: Aluminum Body With Glass Panes

Finish Options: **AG** **SB** **TB**

Glass Types: Frosted Seeded

Suspension Method: Wall Mount

Weight(lbs.): 8

UL Rating: Wet

Top Diffuser: Closed Metal

Bottom Diffuser: Open

Light Source: LED

Electrical Qty: 1

Wattage (Watts): 4.5

Voltage (Volts): 120

Source Lumens: 400

Dimming: ELV to 1%

CCT: 3000K

Driver Quantity & Location: N/A

CRI: 93+

Power Factor: >0.9

Notes:

GENERAL NOTES:

Visit studio.hammerton.com to read about our Lifetime Limited Warranty.

All Hammerton fixtures are handcrafted by artisans. Subtle imperfections reflect the mark of the artisan and should be expected in any handcrafted product. Dimensions may vary up to 7/8".

Rev © 7/7/2022