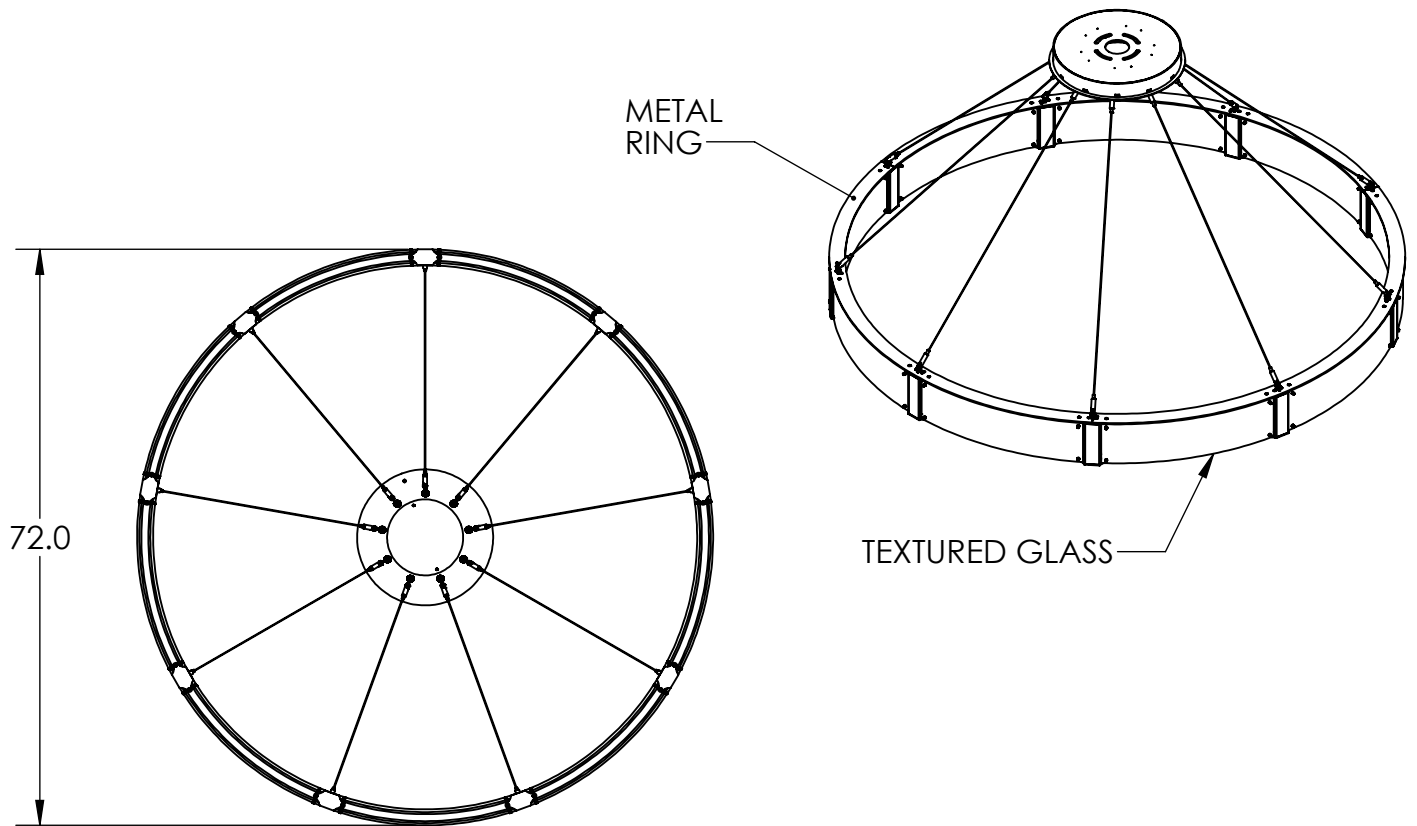
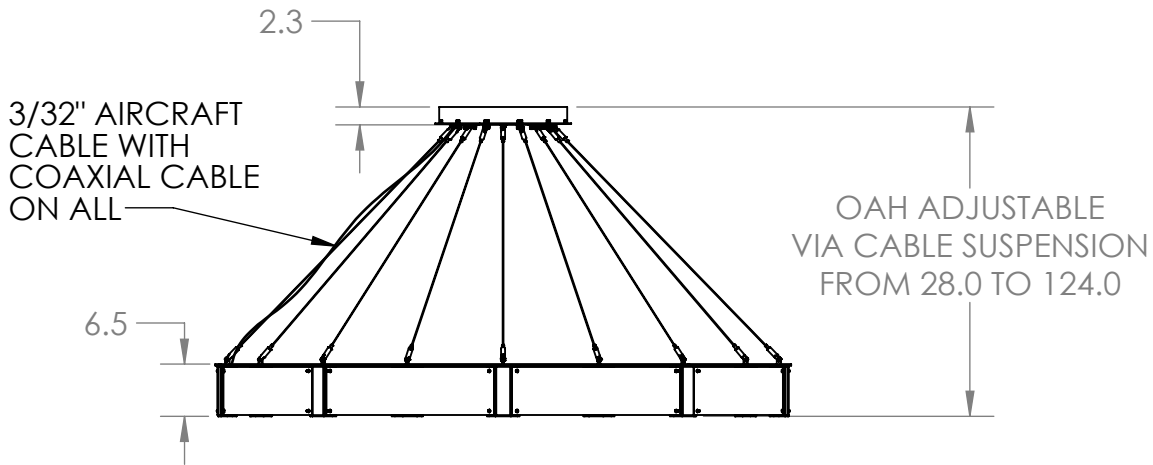


Collection: PARALLEL

Product #: CHB0042-72



Visit hammertonstudio.com for product options and specifications.

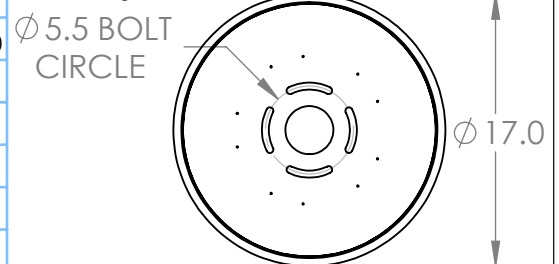
9/13/2018 (B)

| | | | |
|----------------------------------|---------------------------------------|----------------------|--------------|
| Mounting Packet: Z | Weight(lbs.): 125 | Electrical Type: LED | CCT: 2700 K |
| UL Location: DRY | Elec. Qty:36 | Wattage: 93 | Voltage: 120 |
| Finish: SEE WEB SITE FOR OPTIONS | Source Lumens: AMBIENT 6473 | | |
| Top Diffuser: CLOSED | Dimmable: Forward/Reverse Phase to 1% | | |
| Bottom Diffuser: CLOSED | CRI: 90+ | Power Factor: >0.9 | |

All fixtures created by Hammerton are handcrafted by artisans. Dimensions may vary up to 7/8".

© Copyright 2018. All rights in design, detail or invention of this drawing are reserved as the property of Hammerton. Any imitation or adaptation without written consent is strictly prohibited.

Mounting Detail



MOUNTS TO BUILDING STRUCTURE