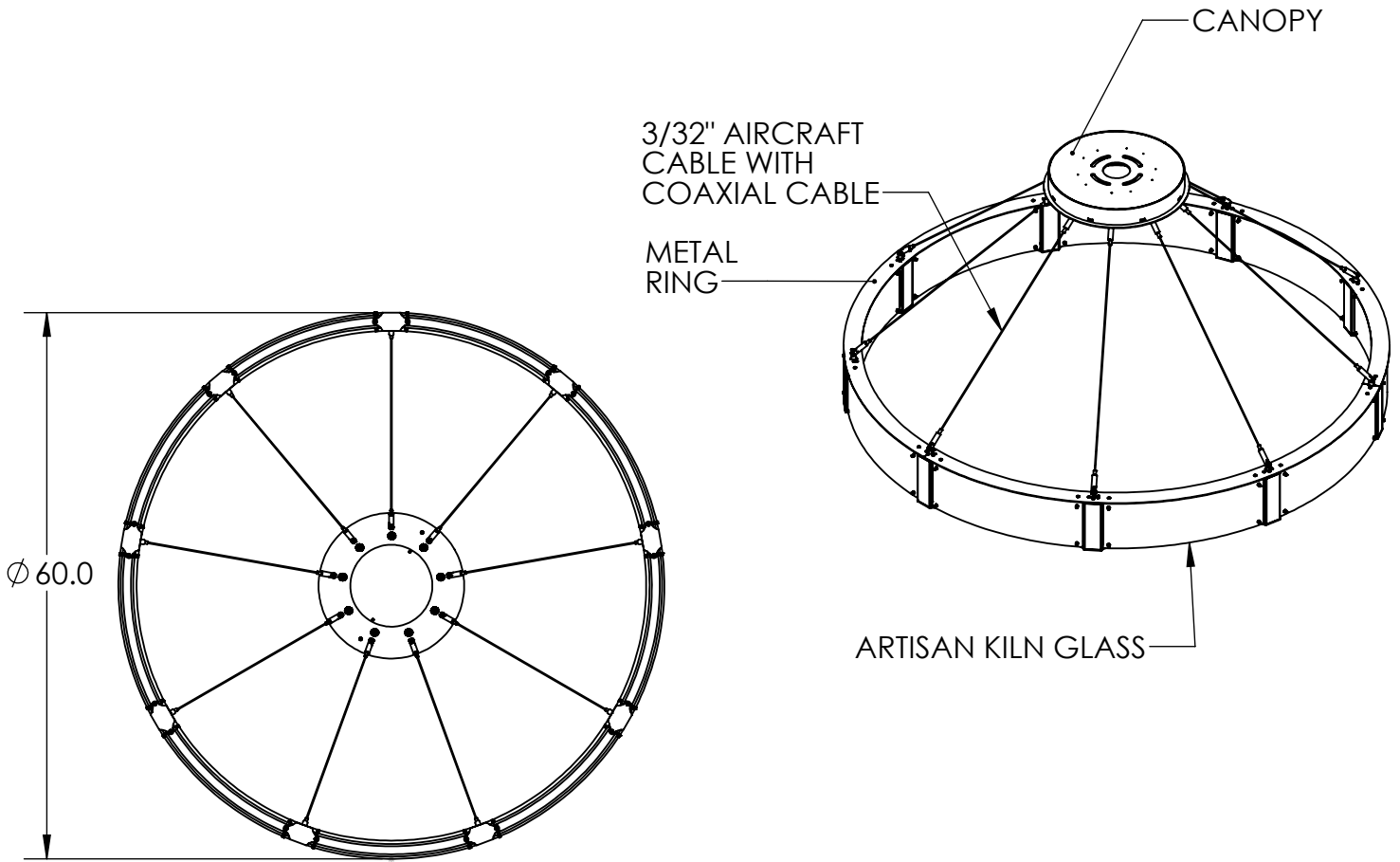
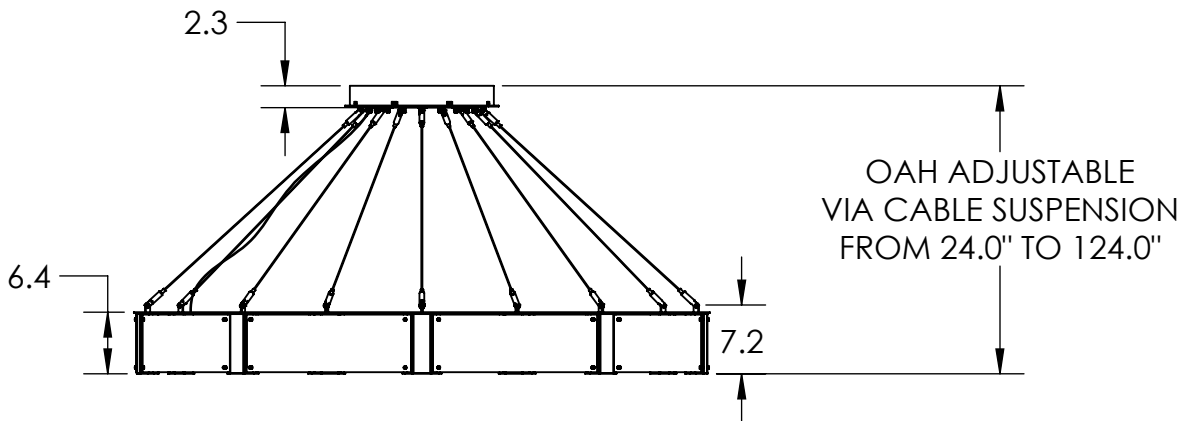


Collection: PARALLEL

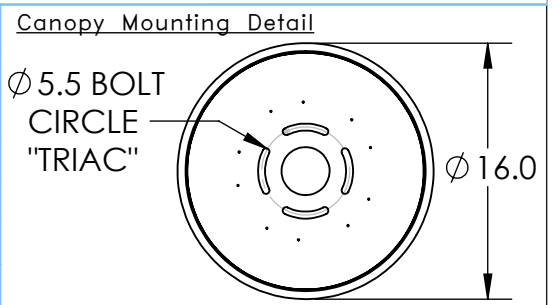
Product #: CHB0042-60



Visit hammertonstudio.com for product options and specifications.

2/5/2020 (B)

Mounting Packet: Z	Weight(lbs.): 100	Electrical Type: LED	CCT: 2700 K
UL Location: DRY	Elec. Qty:36	Wattage: 93	Voltage: 120
Finish: SEE WEB SITE FOR OPTIONS	Source Lumens: AMBIENT 6473		
Top Diffuser: N/A	Dimmable:Forward/Reverse Phase to 1%		
Bottom Diffuser: N/A	CRI: 93+	Power Factor: >0.9	



All fixtures created by Hammerton are handcrafted by artisans. Dimensions may vary up to 7/8".

© Copyright 2020. All rights in design, detail or invention of this drawing are reserved as the property of Hammerton. Any imitation or adaptation without written consent is strictly prohibited.

MOUNTS TO BUILDING STRUCTURE