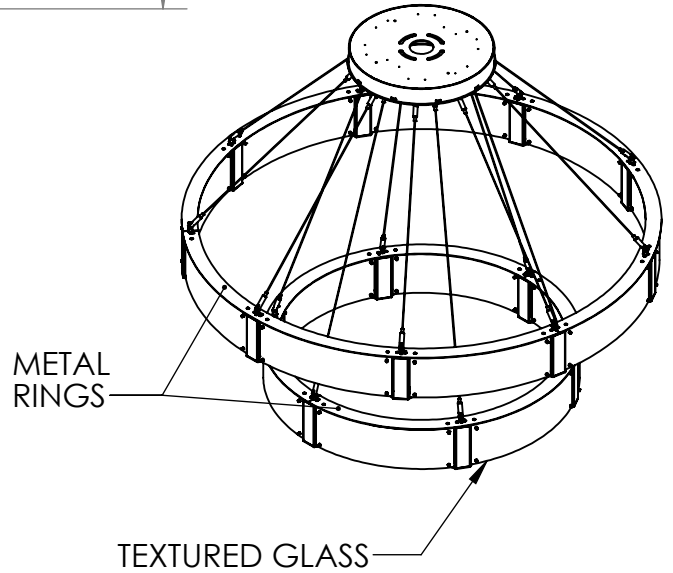
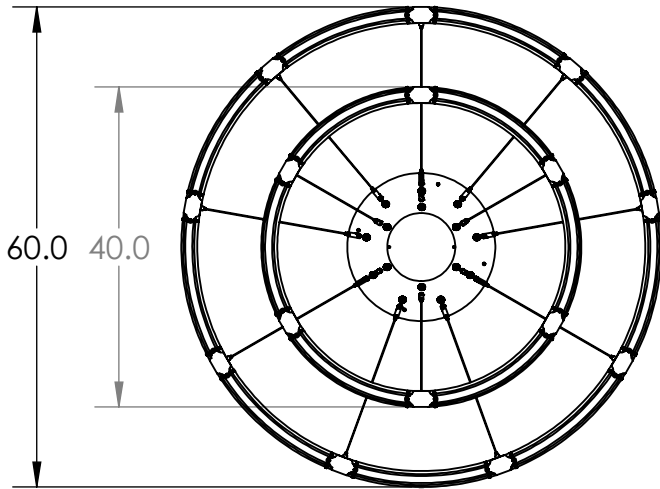
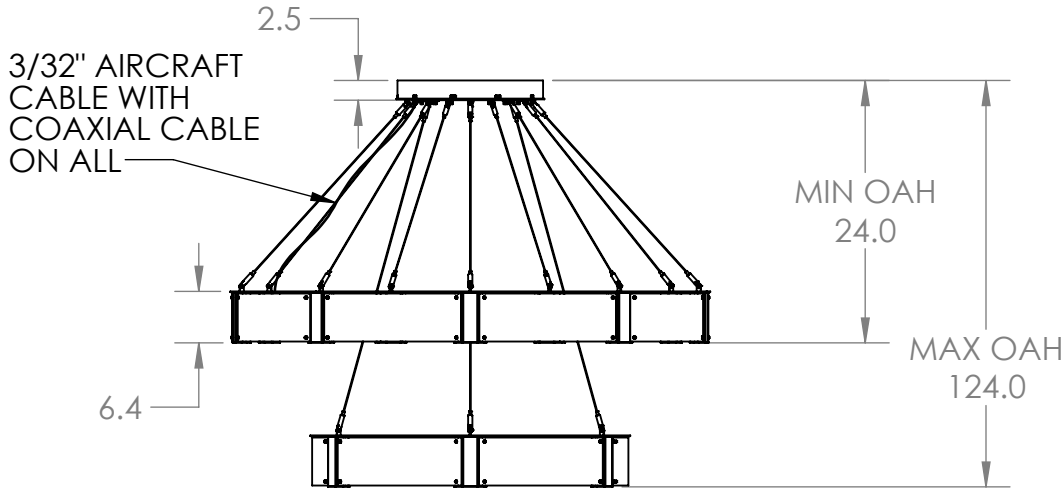


Collection: PARALLEL

Product #: CHB0042-2C



Visit [hammertonstudio.com](http://hammertonstudio.com) for product options and specifications.

9/13/2018 (A)

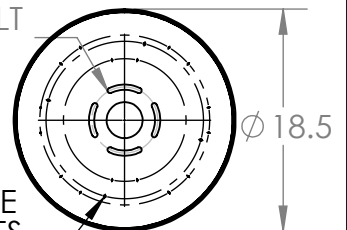
Mounting Packet: Z	Weight(lbs.): 225	Electrical Type: LED	CCT: 2700 K
UL Location: DRY		Elec. Qty: 60	Wattage: 156 Voltage: 120
Finish: SEE WEB SITE FOR OPTIONS		Source Lumens: AMBIENT 10788	
Top Diffuser: CLOSED		Dimmable: Forward/Reverse Phase to 1%	
Bottom Diffuser: CLOSED		CRI: 90+	Power Factor: >0.9

All fixtures created by Hammerton are handcrafted by artisans. Dimensions may vary up to 7/8".

© Copyright 2018. All rights in design, detail or invention of this drawing are reserved as the property of Hammerton. Any imitation or adaptation without written consent is strictly prohibited.

**Mounting Detail**

Ø 5.5 BOLT CIRCLE



4X TOGGLE BOLT HOLES

MOUNTS TO BUILDING STRUCTURE