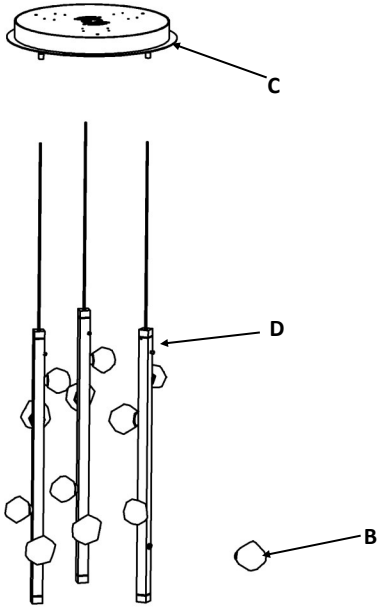


Included Components

- Hardware Packet with Instructions
- Cast Glass (QTY:4 per pendant)
- Canopy
- Pendant Body w/ conductive cable (QTY:1, 3 or 5)

Required Tools

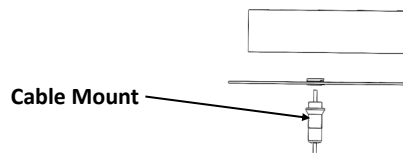
- Philips screw driver (not provided)
- Wire cutters/strippers (not provided)
- Cable Cutters (not provided)**
- Measuring tape (not provided)



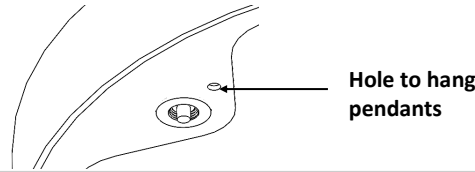
Example Fixture: CHB0070-03

Assembly Instructions

Step 1: Remove faceplate from canopy by unscrewing cable mounts shown below. Mount canopy to ceiling following included mounting instructions. Make wire connections from drivers to source power .



Step 2: with canopy mounted and faceplate off: hang pendants through hole shown below by feeding cable through hole and tying into a loose knot to hold in place, this will allow you to determine desired pendant heights before you cut the cables. Once desired heights is determined, mark the cable where it enters the hole, this is the cut location.

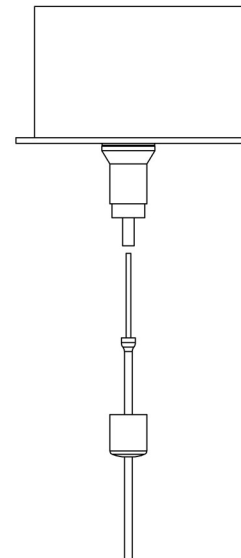
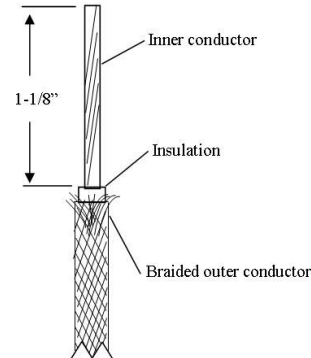


Step 3: Cut conductive cables to desired length using **cable cutters, not wire cutters or diagonal cutters**. Failure to use cable cutters will result in the inner conductive cable not being cut cleanly.

Step 4: Re-install faceplate and cable mounts

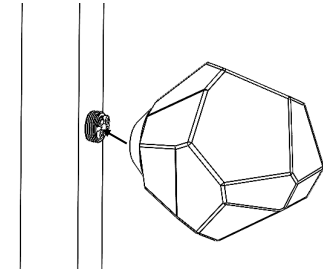
Step 5: Connect conductive cable to the canopy.

- Mark the conductive cable 1-1/8" from both ends.
- Unscrew the Cap from the cord gripper and slide it over the conductive cable.
- Cut the outer sheathing and insulator with a **16 Ga. Wire stripper**. Open the stripper, rotate 90° and repeat until sheathing is completely cut.
- Strip the wire by wrapping the cable around your hand and use a **14 Ga. Wire Stripper**.
- Flare out the outer braided sheathing so that it will lay on the outside of the nipple on the cable gripper**
- Insert cable into gripper until it bottoms out. The insulator will go into the gripper while the outer sheathing will lay over the outside.
- Secure the cap back onto the gripper. **Be careful when tightening the cap not to cut the outer sheathing.**
- Smooth out sheathing by pinching the cable and pulling away from the gripper.

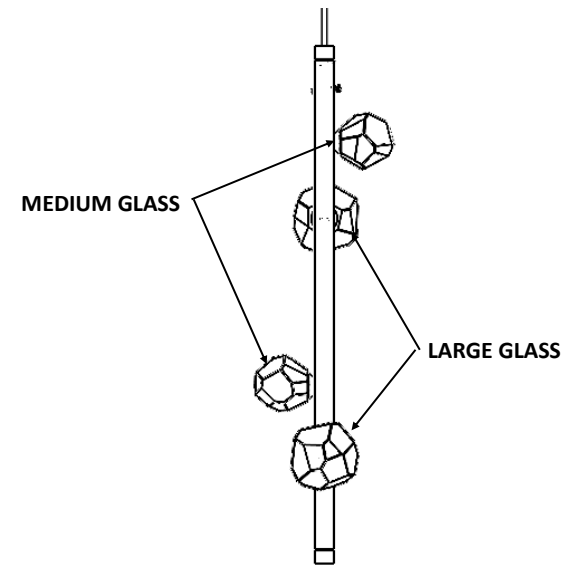


NOTE: Cable can be released from gripper by unscrewing the threaded section under the cap and pressing the plunger while pulling on the cable.

Step 6: Install each glass element (B) one by one by threading glass piece onto the corresponding threaded mounts shown below.



****NOTE IN ORDER TO KEEP PENDANT BALANCED, OPPOSING PIECES OF GLASS NEED TO BE THE SAME SIZE, THE FIGURE BELOW SHOWS AN EXAMPLE OF THE SINGLE PENDANT WITH TWO LARGE GLASS PIECES AND TWO MEDIUM GLASS PIECES**



ELV DIMMER SWITCH IS RECOMMENDED FOR BEST PERFORMANCE

Installation Help: Please scan the QR code or follow the URL to see our installation help page. This page includes a video walkthrough of how to wire the conductive cable.



<https://studio.hammerton.com/solimar-cable-installation/>

About Hammerton Studio

HAMMERTON STUDIO

In 2013, the Hammerton Studio brand was created to offer artisan-crafted, contemporary design solutions that are both versatile and accessible. Hammerton Studio fixtures add contemporary distinction to entries, great rooms and master suites, yet are cost-effective enough to use throughout any residential or commercial projects. Like all Hammerton fixtures, they are designed and fabricated in Salt Lake City, Utah using domestically sourced materials.

POWERFUL DESIGN

Since 1992, Hammerton has been known for extraordinary decorative lighting that is boldly designed, expertly rendered, perfectly proportioned and exquisitely detailed. Each fixture exudes a design aesthetic that is timeless and enduring, yet remarkably relevant.

UNCOMPROMISING CRAFTSMANSHIP

In addition to their exceptional metalworking and finishing expertise, Hammerton artisans share an aesthetic eye and a sculptural talent that define the difference between ordinary and extraordinary craftsmanship. Every fixture demonstrates its artisan's ability to elevate craft to an art form.

UNIQUE MATERIALS

Hammerton's recent acquisition of the Lightspann brand has added unparalleled strength in all types of artisan glass, including hand-blown, slumped, fused, and lampworked glass. The combination of Hammerton's traditional metalworking and Lightspann glass allows steel, woven mesh, fabric and glass to be combined in a manner which cannot be duplicated

A REPUTATION REFLECTED BY OUR CLIENTS

Hammerton fixtures are as extraordinary as the clients who purchase them, including Forbes 400 members, Fortune 500 leaders, award-winning entertainers, fashion and interior designers, sports legends, and leading luxury hospitality brands.

Hammerton
217 Wright Brothers Drive
Salt Lake City, UT
84116

801-973-8095
info@hammerton.com
www.hammerton.com

Warranty

ONE YEAR LIMITED WARRANTY

Hammerton, Inc. (Hammerton) warrants the original owner that this product will be free of defects in material or workmanship for the period of one year from the date of original purchase from Hammerton, if (i) the allegedly defective product has not been abused, misused or improperly maintained and or repaired during the warranty period, (ii) the defect is not caused by water damage/flooding, fire, explosion, earthquakes or similar phenomenon, and (iii) the defect is not caused by improper installation (unless installed by Hammerton).

In order to obtain warranty service, the user must first complete a warranty claims form. Hammerton will determine if the product will be inspected on site or returned to Hammerton. If after the inspection Hammerton finds that the product is defective as claimed, Hammerton will, at its option, repair or replace the product free of charge, or Hammerton may in its sole discretion, refund the purchase price. Hammerton warrants any replaced or repaired products for ninety days after shipment or through the end of the original warranty period, whichever is longer. All products or parts that are replaced become the property of Hammerton.

No representative or employee of Hammerton is authorized to make any modification or addition to this limited warranty.

TO THE FULL EXTENT ALLOWED BY LAW, THE FOREGOING WARRANTY AND REMEDIES ARE EXCLUSIVE, AND HAMMERTON EXPRESSLY DISCLAIMS ALL OTHER WARRANTIES, EXPRESSED OR IMPLIED, INCLUDING WITHOUT LIMITATION THE IMPLIED WARRANTIES OF MERCHANTABILITY AND FITNESS FOR A PARTICULAR PURPOSE. TO THE FULL EXTENT ALLOWED BY LAW, HAMMERTON EXCLUDES AND DISCLAIMS LIABILITY, WHETHER BASED IN CONTRACT OR TORT (INCLUDING NEGLIGENCE FOR ANY CONSEQUENTIAL, INDIRECT INCIDENTAL OR SPECIAL DAMAGES OF ANY NATURE ARISING OUT OF THE SALE INSTALLATION, MAINTENANCE, USE OR FAILURE OF THIS PRODUCT, EVEN IF HAMMERTON HAS BEEN ADVISED OF THE POSSIBILITY OF SUCH DAMAGES IN ADVANCE, AND HAMMERTON LIMITS ITS LIABILITY TO REPLACEMENT, REPAIR OR REFUND OF THE PURCHASE PRICE PAID, AT HAMMERTON'S OPTION.)

SOME STATES DO NOT ALLOW LIMITATIONS ON HOW LONG AN IMPLIED WARRANTY LASTS AND/OR DO NOT ALLOW THE EXCLUSION OR LIMITATION OF INCIDENTAL OR CONSEQUENTIAL DAMAGES, SO THE ABOVE LIMITATION ON IMPLIED WARRANTY AND INCIDENTAL OR CONSEQUENTIAL DAMAGES MAY NOT APPLY TO YOU. THIS WARRANTY GIVES YOU SPECIFIC LEGAL RIGHTS YOU MAY HAVE OTHER RIGHTS, WHICH VARY FROM STATE TO STATE

HAMMERTONSTUDIO™

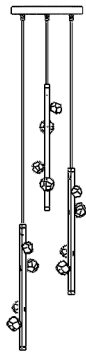
Assembly Instructions

LED, Stella Chandeliers

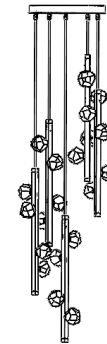
LAB0070-01, CHB0070-03,
CHB0070-05



LAB0070-01



CHB0070-03



CHB0070-05

WARNING: FAILURE TO INSTALL THIS FIXTURE PROPERLY MAY RESULT IN SERIOUS PERSONAL INJURY OR DEATH AND PROPERTY DAMAGE.

It is recommended that this product be installed by a licensed electrician.