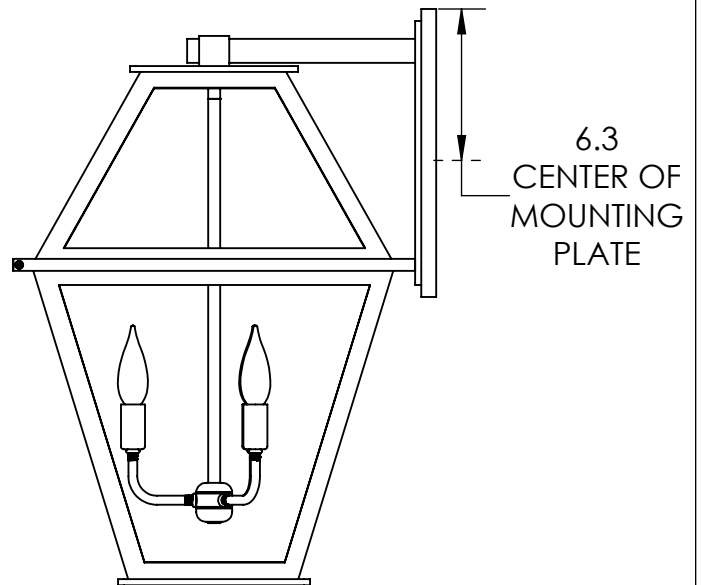
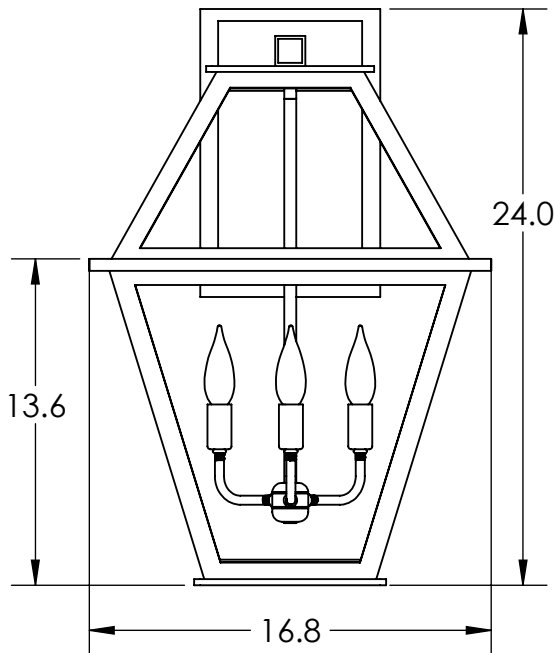
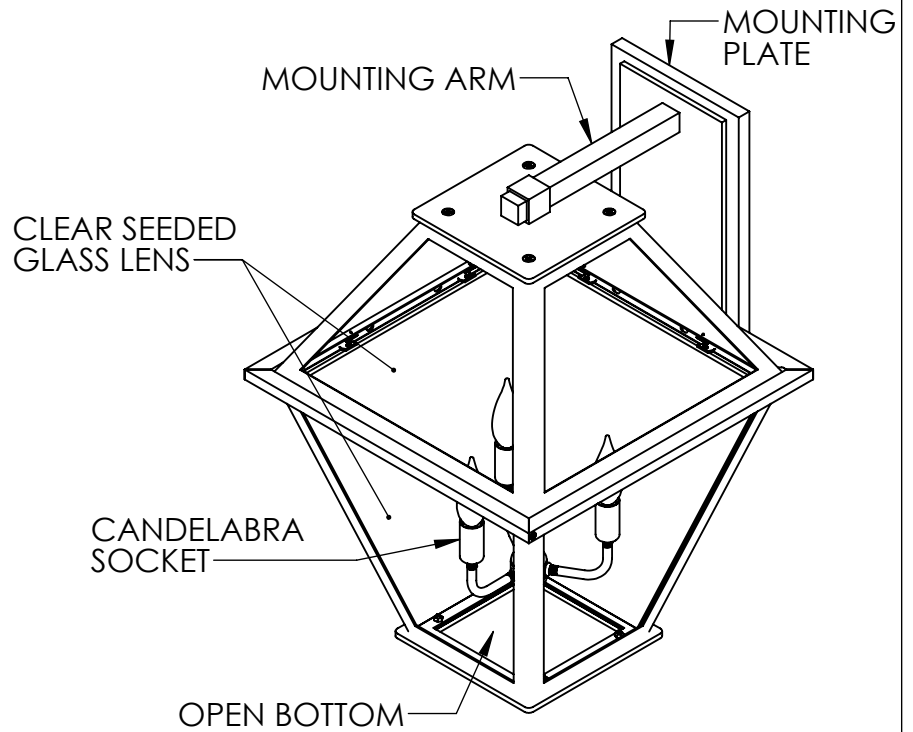
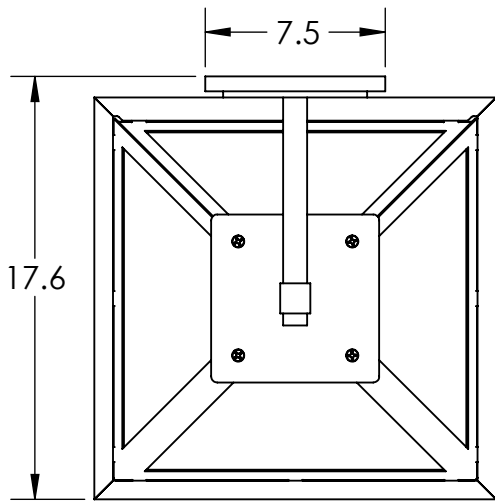


Collection: OUTDOOR

Product #: ODB0043-AJ



All dimensions are shown in inches unless otherwise stated.  
 Visit [hammertonstudio.com](http://hammertonstudio.com) for product options and specifications.

*Bulbs Not Included*

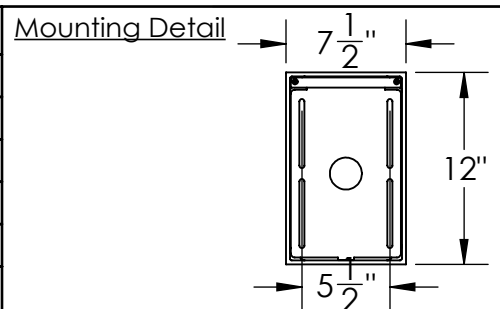
6/8/2020 (A)

Mounting Packet: C	Electrical Type: INCANDESCENT
Approximate lbs.: 30	Bulb Qty: 3    Bulb Type: C
Finish: SEE WEB SITE FOR OPTIONS	Wattage: 40    Voltage: 120
Top Diffuser: CLOSED METAL	Socket Type: E12
Bottom Diffuser: OPEN	UL Location: WET

All fixtures created by Hammerton are handcrafted by artisans. Dimensions may vary up to 7/8".

© Copyright 2020. All rights in design, detail or invention of this drawing are reserved as the property of Hammerton. Any imitation or adaptation without written consent is strictly prohibited.

Hammerton Inc. 217 Wright Brothers Dr. Salt Lake City, UT 84116 (801)973-8095



**MOUNTS TO BUILDING STRUCTURE**