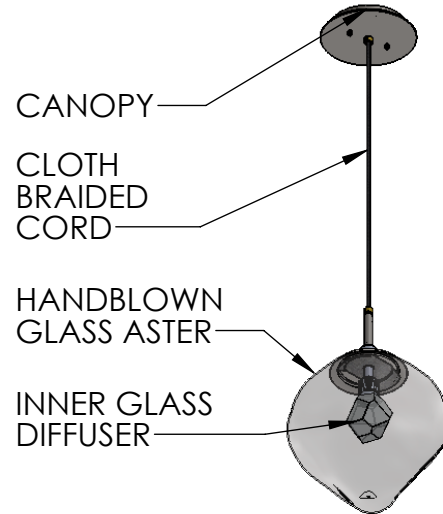
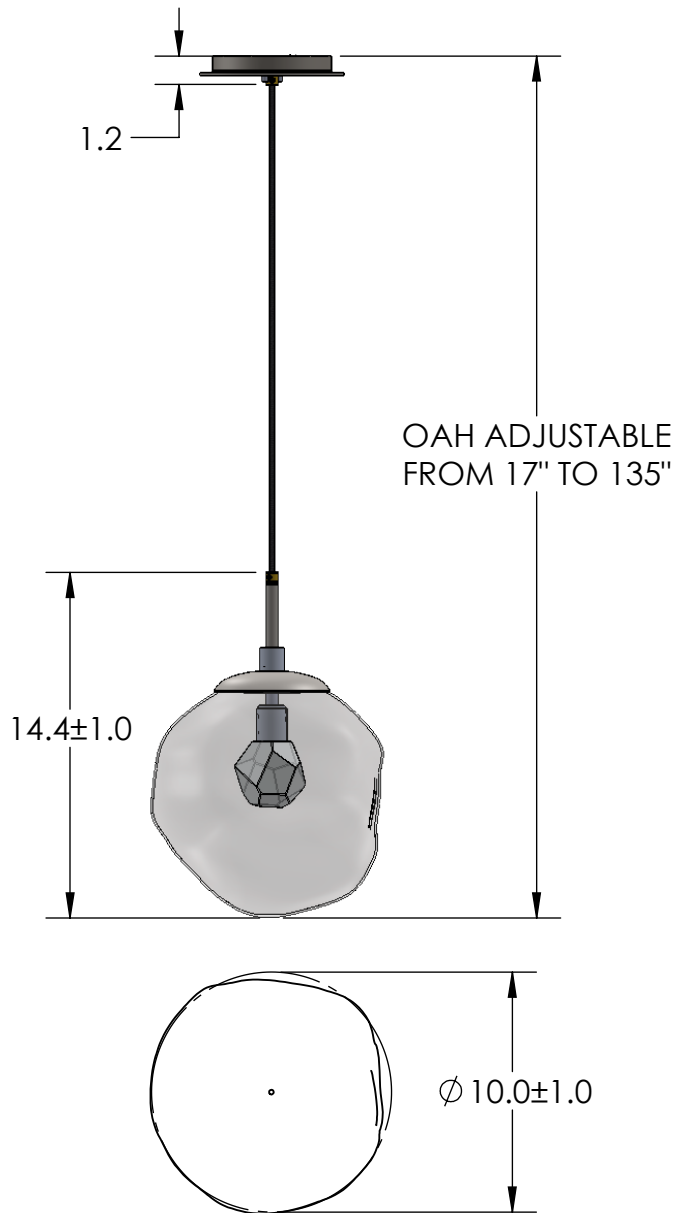


Collection: ASTER (NEBULA)

Product #: LAB0066-01-L1



INNER GLASS DIFFUSER OPTIONS QTY: 1



Floret  
HAND-FORMED GLASS

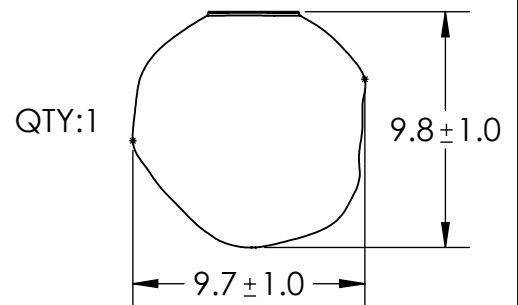


Geo  
CAST GLASS



Zircon  
CAST GLASS

HANDBLOWN GLASS DIMENSIONS MAY VARY ± 1"



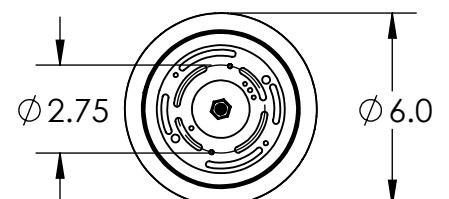
**\*\* NOTE\*\***  
DRIVER TO BE INSTALLED IN J-BOX.  
MINIMUM SIZE OF J-BOX REQUIRED IS  
4" L x 4" W x 1.5" H

All dimensions are shown in inches unless otherwise stated.  
Visit [hammertonstudio.com](http://hammertonstudio.com) for product options.

1/30/2020 (A)

Mounting Packet: Y	Weight(lbs.): 12	Electrical Type: LED	CCT: 2700 K
UL Location: DRY	Elec. Qty: 1	Wattage: 5.2	Voltage: 120
Finish: SEE WEBSITE FOR OPTIONS	Source Lumens: Ambient: 340	Down: 0	
Top Diffuser: N/A	Dimmable: Forward/Reverse Phase To 1%		
Bottom Diffuser: CLOSED GLASS	CRI: 93+	Power Factor: >0.9	

Canopy Mounting Detail



MOUNTS DIRECTLY TO J-BOX