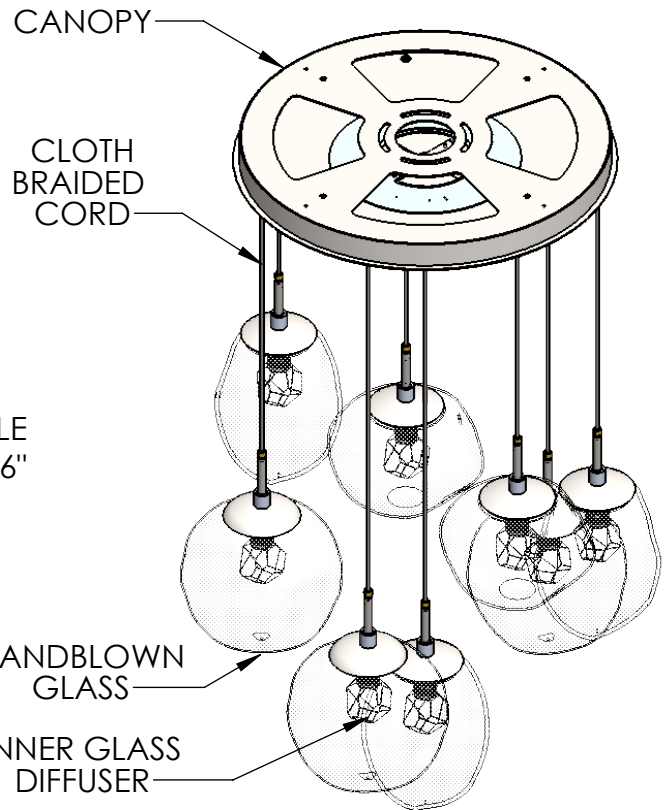
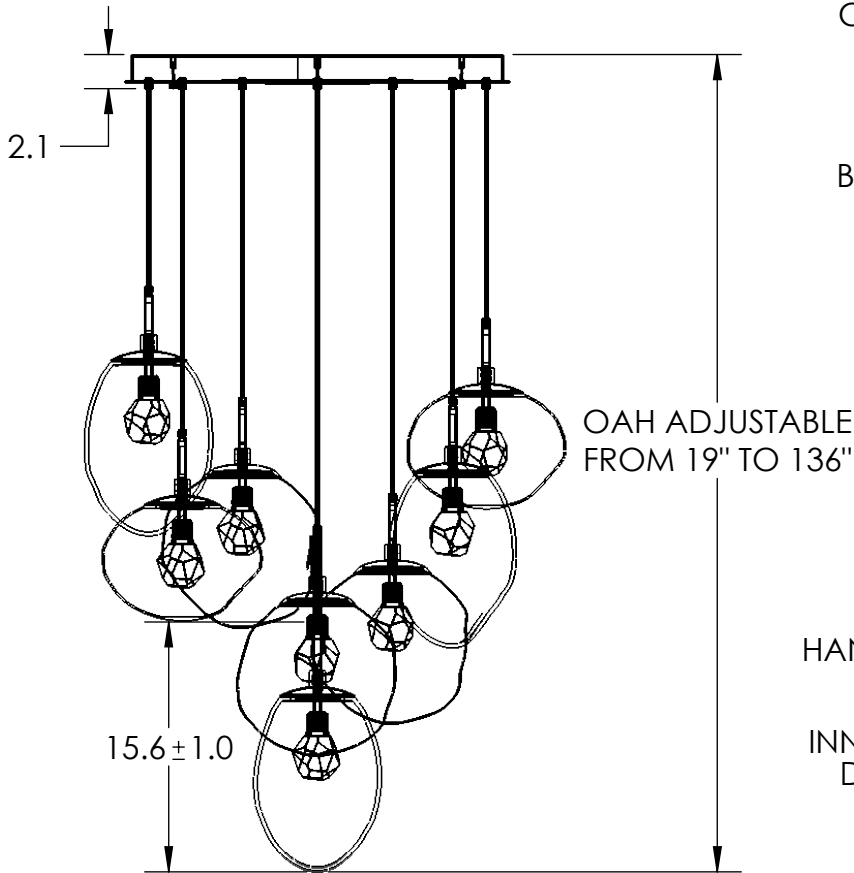


Collection: COSMOS (NEBULA)

Product #: CHB0069-08



EXTERIOR GLASS MAY VARY ± 1"

GLASS OPTIONS

INTERNAL GLASS



ZIRCON

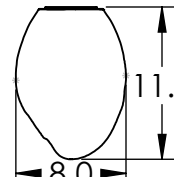


GEO

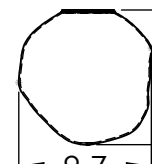


FLORET

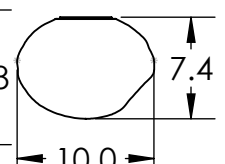
EXTERIOR GLASS



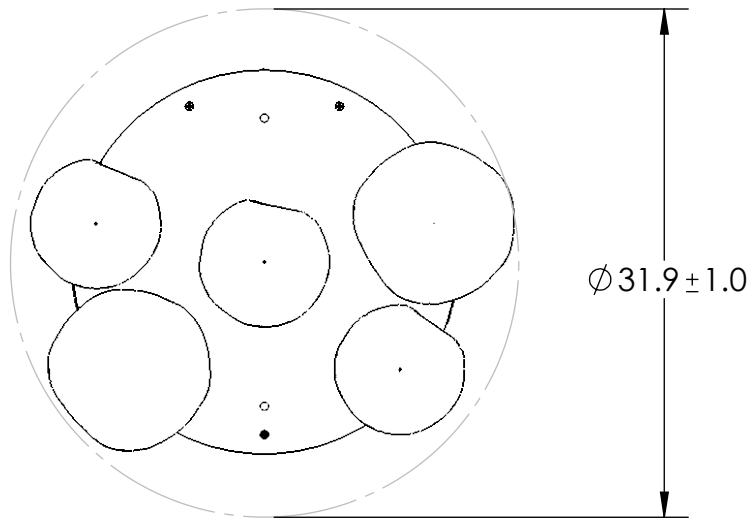
METEO



ASTER



NOVA



All dimension are shown in inches unless otherwise stated. Visit hammertonestudio.com for product options and specifications.

2/21/2020 (A)

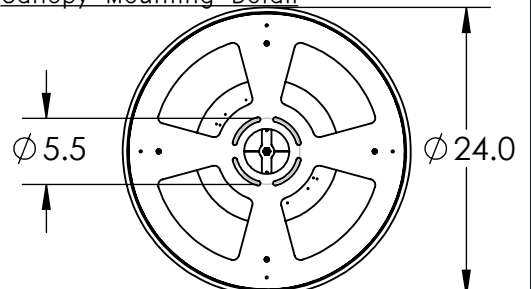
Mounting Packet: R	Weight(lbs.): 93	Electrical Type: LED	CCT: 2700 K
UL Location: DRY	Elec. Qty: 8	Wattage: 42	Voltage: 120
Finish: SEE WEBSITE FOR OPTIONS	Source Lumens:	Ambient: 2720	Down: 0
Top Diffuser: N/A	Dimmable: Forward/Reverse Phase To 1%		
Bottom Diffuser: CLOSED GLASS	CRI: 93+	Power Factor: >0.9	

All fixtures created by Hammerton are handcrafted by artisans. Dimensions may vary up to 7/8".

© Copyright 2020. All rights in design, detail or invention of this drawing are reserved as the property of Hammerton. Any imitation or adaptation without written consent is strictly prohibited.

Hammerton Inc. 217 Wright Brothers Dr. Salt Lake City, UT 84116 (801)973-8095

Canopy Mounting Detail



MOUNTS TO BUILDING STRUCTURE