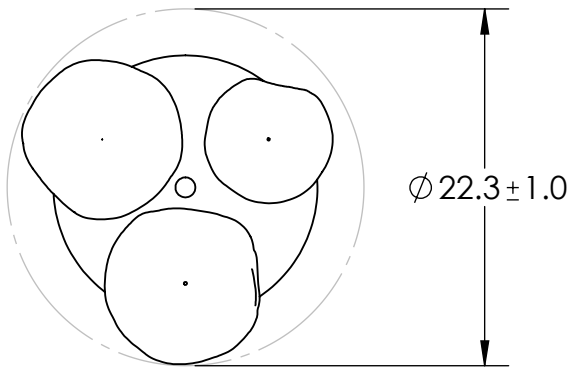
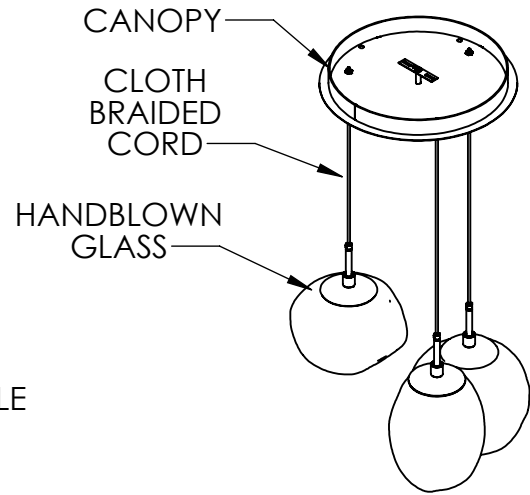
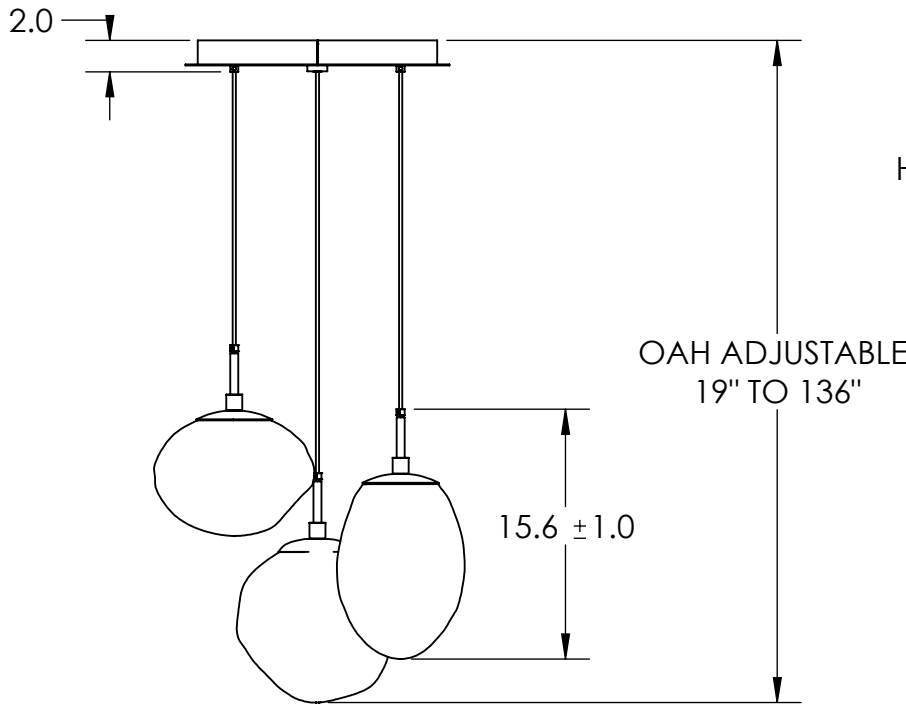


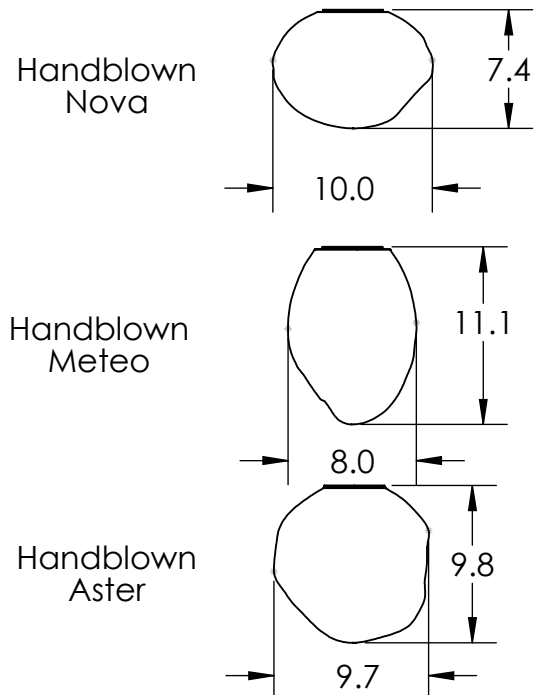
Collection: COSMOS (NEBULA)

Product #: CHB0065-03



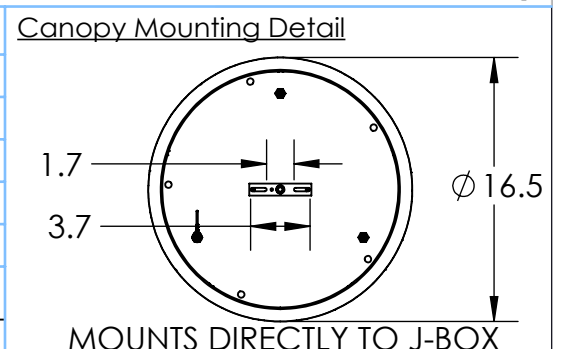
### OUTER GLASS OPTIONS

HANDBLOWN GLASS DIMENSIONS  
MAY VARY  $\pm 1"$



*Bulbs Not Included* All dimensions are shown in inches unless otherwise stated. Visit [hammertonstudio.com](http://hammertonstudio.com) for product options and specifications. 2/21/2020 (A)

|                                 |                               |
|---------------------------------|-------------------------------|
| Mounting Packet: W              | Electrical Type: INCANDESCENT |
| Approximate lbs.: 27            | Bulb Qty: 3 Bulb Type: ST19   |
| Finish: SEE WEBSITE FOR OPTIONS | Wattage: 40 Voltage: 120      |
| Top Diffuser: N/A               | Socket Type: E26              |
| Bottom Diffuser: CLOSED GLASS   | UL Location: DRY              |



All fixtures created by Hammerton are handcrafted by artisans. Dimensions may vary up to 7/8".  
 © Copyright 2020. All rights in design, detail or invention of this drawing are reserved as the property of Hammerton. Any imitation or adaptation without written consent is strictly prohibited.  
 Hammerton Inc. 217 Wright Brothers Dr. Salt Lake City, UT 84116 (801)973-8095