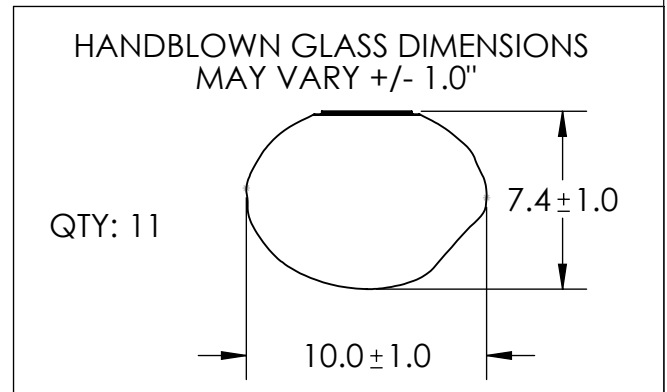
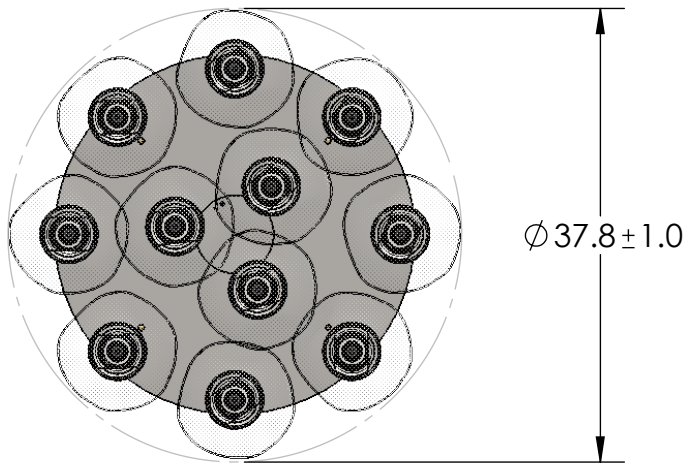
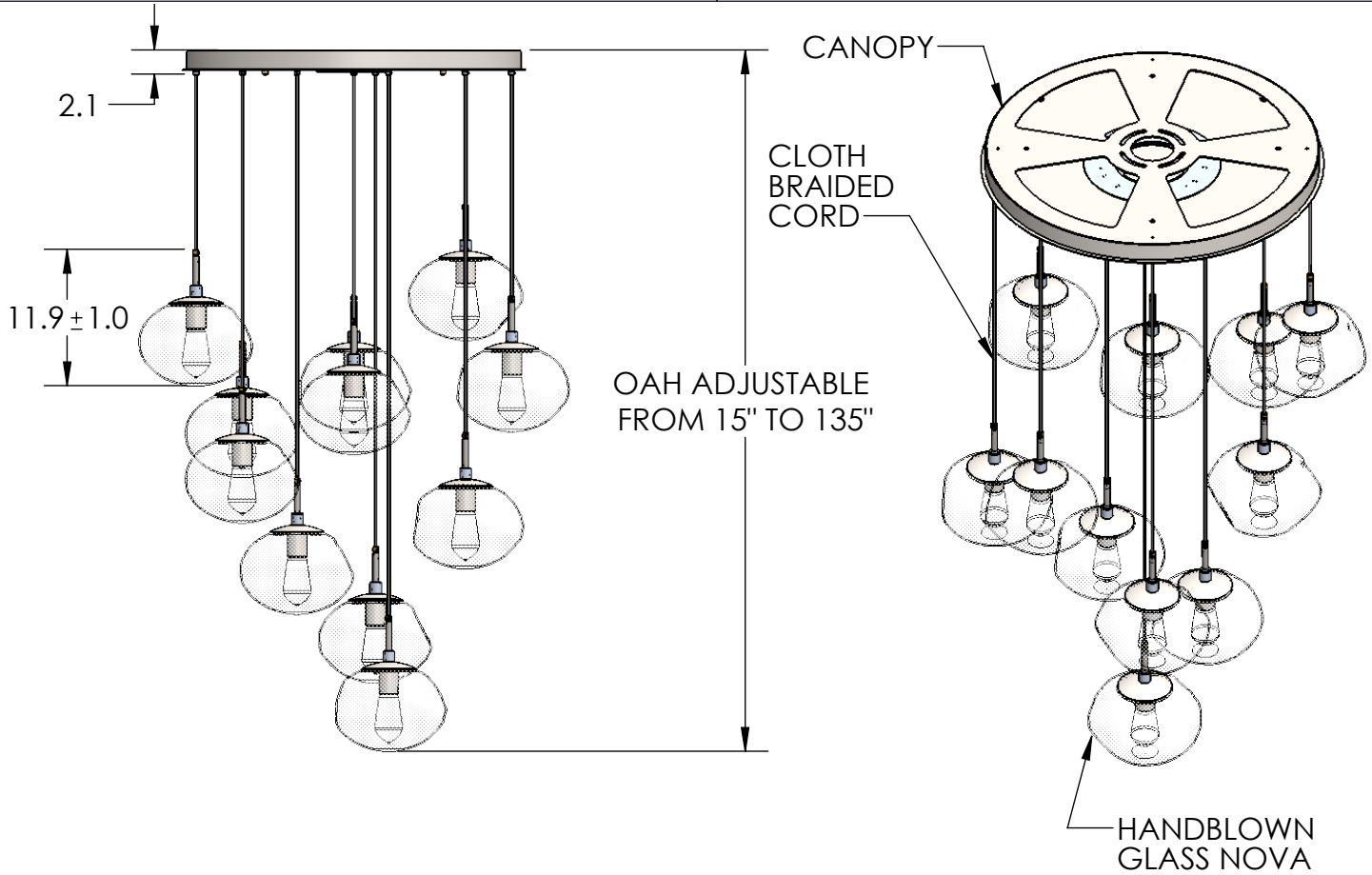


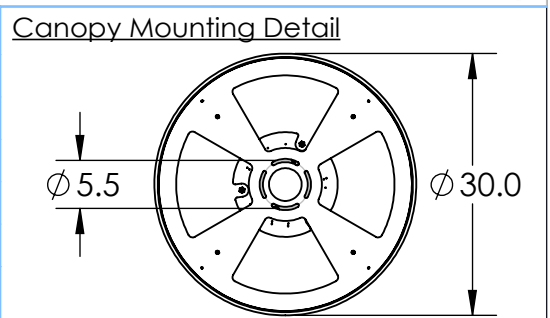
Collection: NOVA (NEBULA)

Product #: CHB0064-11



*Bulbs Not Included* All dimensions are shown in inches unless otherwise stated. Visit [hammertonstudio.com](http://hammertonstudio.com) for product options and specifications. 2/13/2020 (A)

Mounting Packet: R	Electrical Type: INCANDESCENT
Approximate lbs.: 94	Bulb Qty: 11 Bulb Type:SEE TABLE ST19
Finish: SEE WEBSITE FOR OPTIONS	Wattage: 40 Voltage: 120
Top Diffuser: N/A	Socket Type: MEDIUM E26
Bottom Diffuser: CLOSED GLASS	UL Location: DRY



All fixtures created by Hammerton are handcrafted by artisans. Dimensions may vary up to 7/8".  
 © Copyright 2020. All rights in design, detail or invention of this drawing are reserved as the property of Hammerton. Any imitation or adaptation without written consent is strictly prohibited.