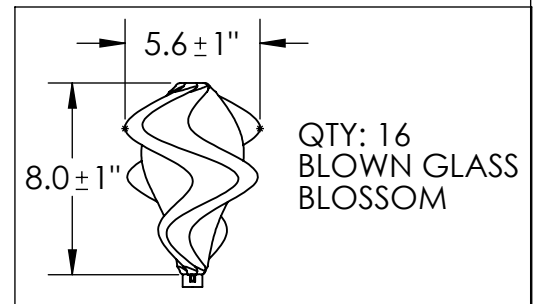
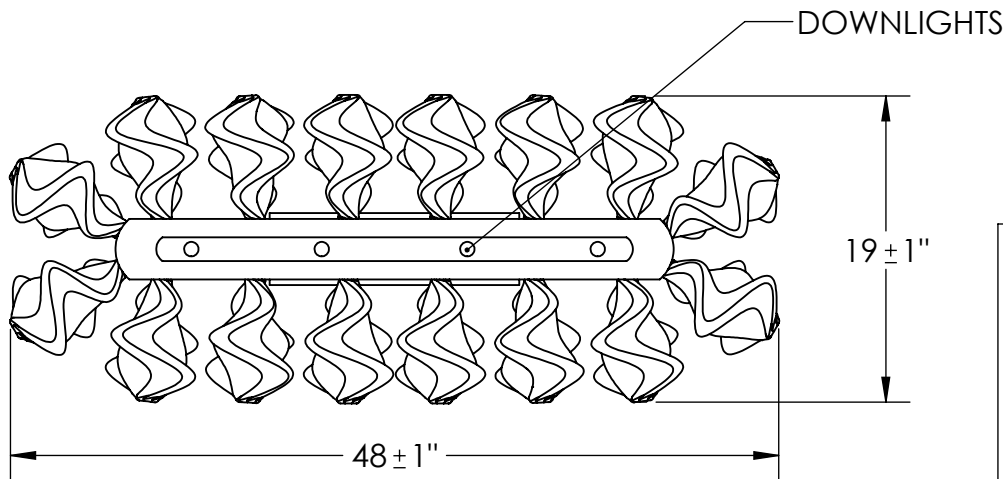
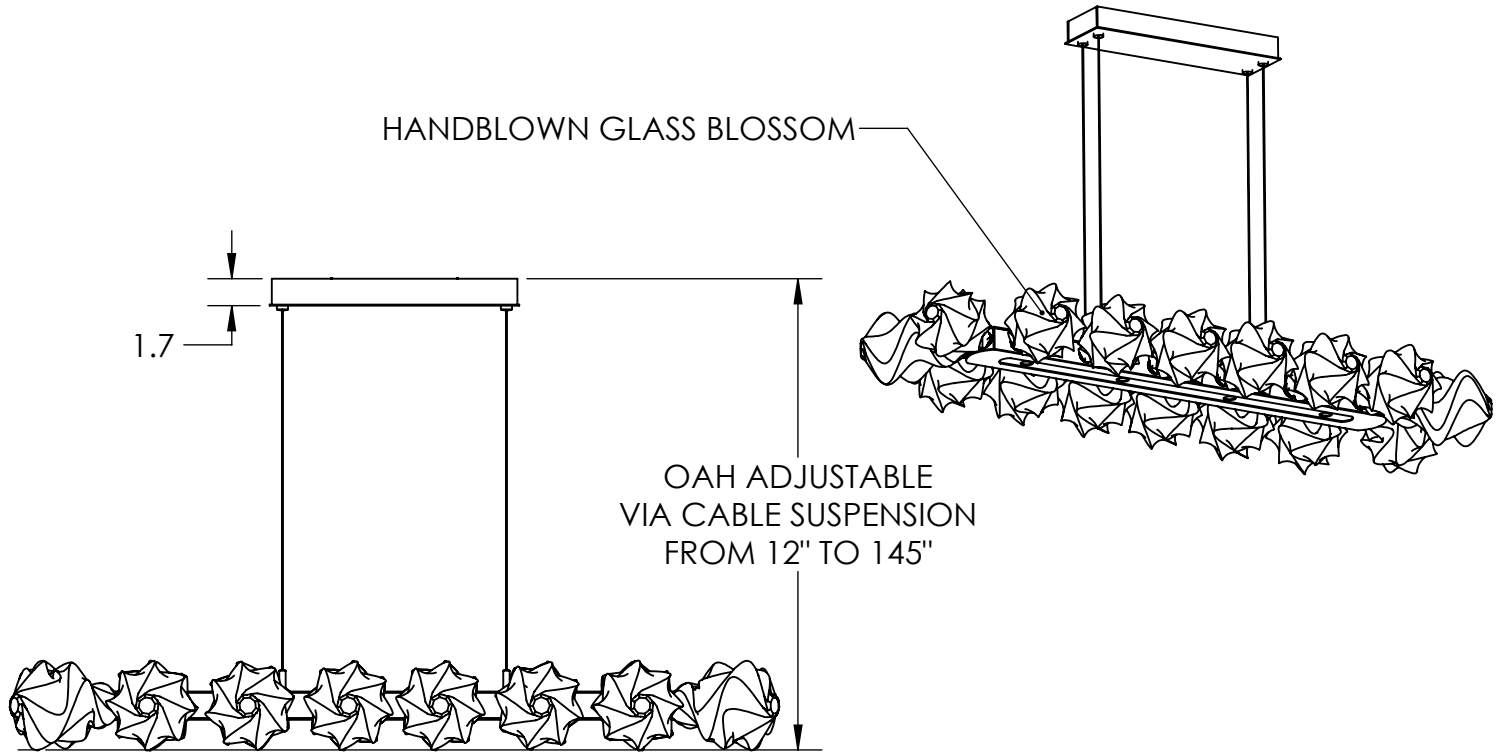


Collection: BLOSSOM

Product #: PLB0059-48

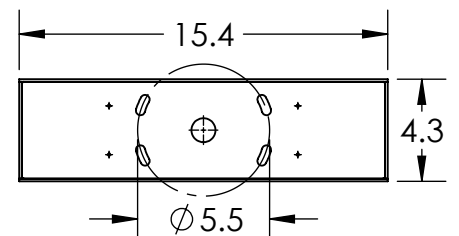


All dimensions are shown in inches unless otherwise stated. Visit [hammeronstudio.com](http://hammeronstudio.com) for product options.

6/25/2019 (B)

|                                  |                                       |                      |              |
|----------------------------------|---------------------------------------|----------------------|--------------|
| Mounting Packet: S               | Weight(lbs.): 74                      | Electrical Type: LED | CCT: 2700 K  |
| UL Location: DRY                 | Elec. Qty: 20                         | Wattage: 42          | Voltage: 120 |
| Finish: SEE WEB SITE FOR OPTIONS | Source Lumens: 1920                   | Ambient: 1360        | Down: 1360   |
| Top Diffuser: CLOSED METAL       | Dimmable: Forward/Reverse Phase To 1% |                      |              |
| Bottom Diffuser: CLOSED ACRYLIC  | CRI: 93+                              | Power Factor: >0.9   |              |

Canopy Mounting Detail



All fixtures created by Hammerton are handcrafted by artisans. Dimensions may vary up to 7/8".

© Copyright 2019. All rights in design, detail or invention of this drawing are reserved as the property of Hammerton. Any imitation or adaptation without written consent is strictly prohibited.

Hammerton Inc. 217 Wright Brothers Dr. Salt Lake City, UT 84116 (801)973-8095

MOUNTS TO BUILDING STRUCTURE