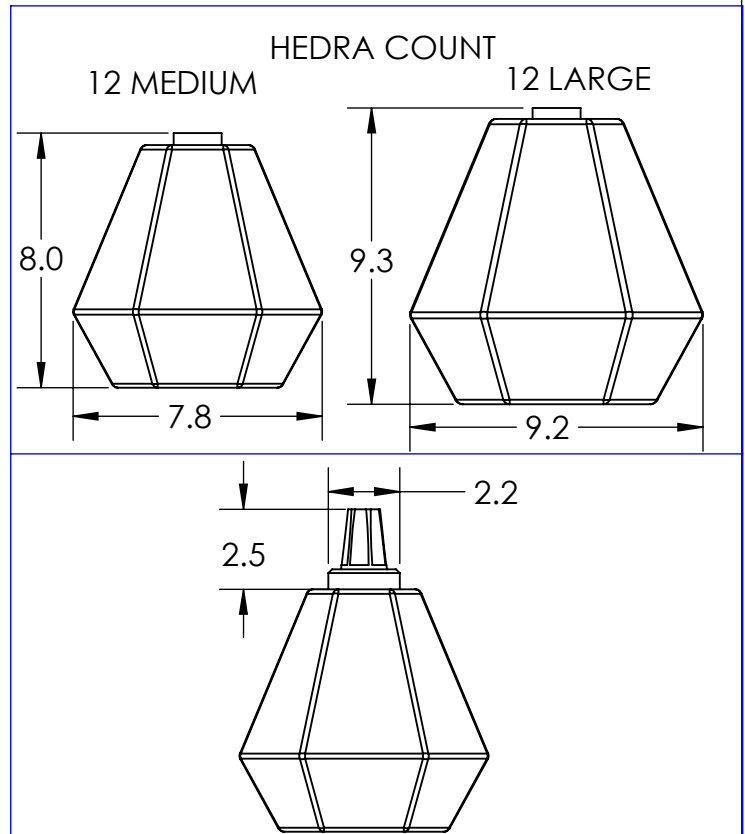
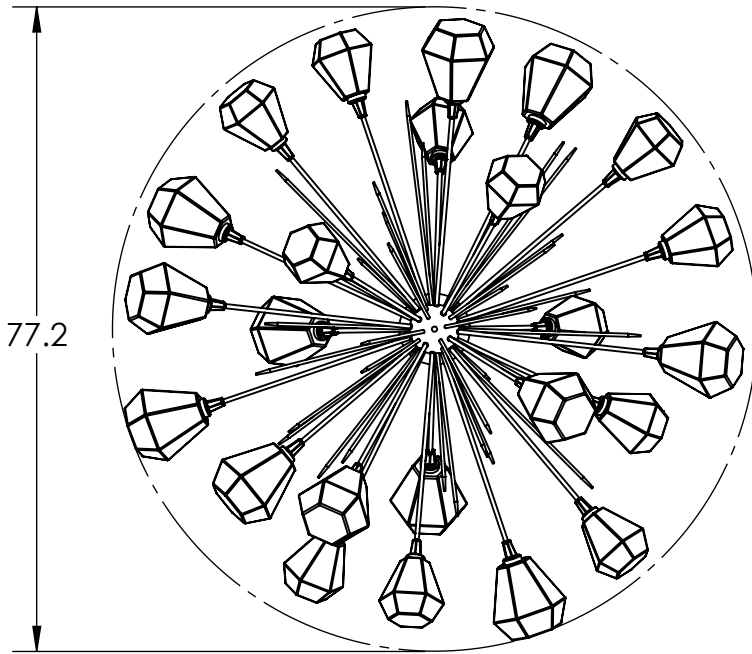
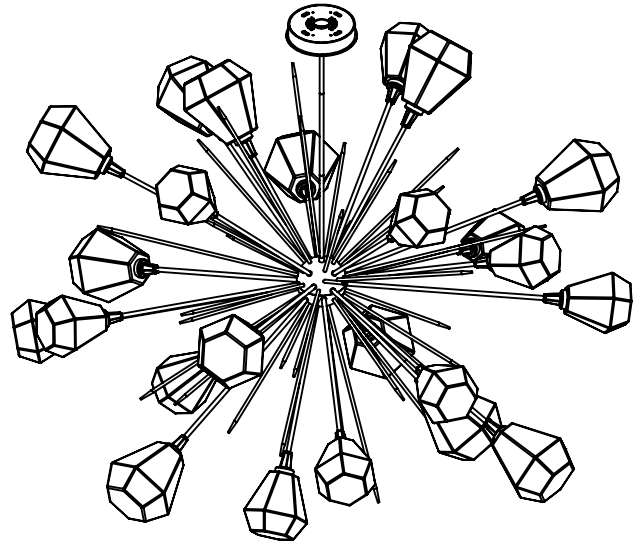
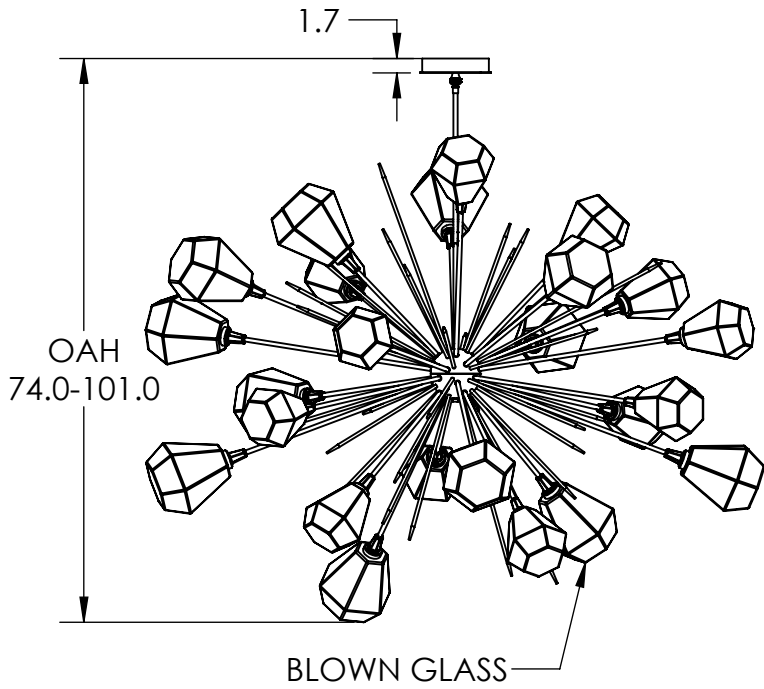


Collection: HEDRA

Product #: CHB0045-0D



Visit [hammertonstudio.com](http://hammertonstudio.com) for product options and specifications.

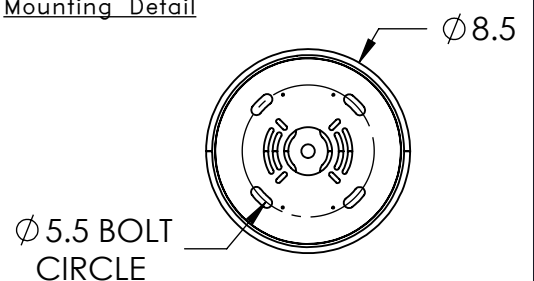
4/25/2018 (A)

Mounting Packet: Z	Weight(lbs.): 100	Electrical Type: LED	CCT: 2700 K
UL Location: DRY	Elec. Qty: 24	Wattage: 42	Voltage: 120
Finish: SEE WEB SITE FOR OPTIONS	Source Lumens: 3132	AMBIENT	
Top Diffuser: CLOSED GLASS	Dimmable: Forward/Reverse Phase to 1%		
Bottom Diffuser: CLOSED GLASS	CRI: 93+	Power Factor: >0.9	

All fixtures created by Hammerton are handcrafted by artisans. Dimensions may vary up to 7/8".

© Copyright 2018. All rights in design, detail or invention of this drawing are reserved as the property of Hammerton. Any imitation or adaptation without written consent is strictly prohibited.

### Mounting Detail



MOUNTS TO BUILDING STRUCTURE