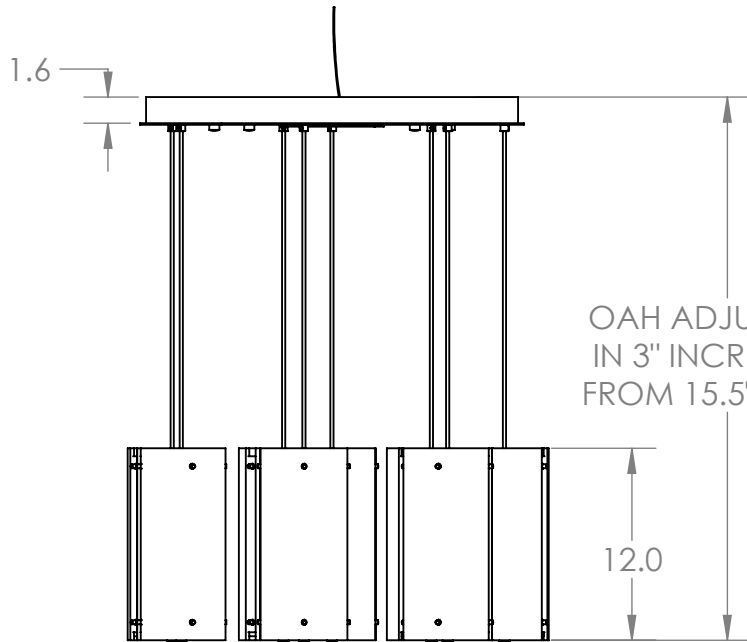


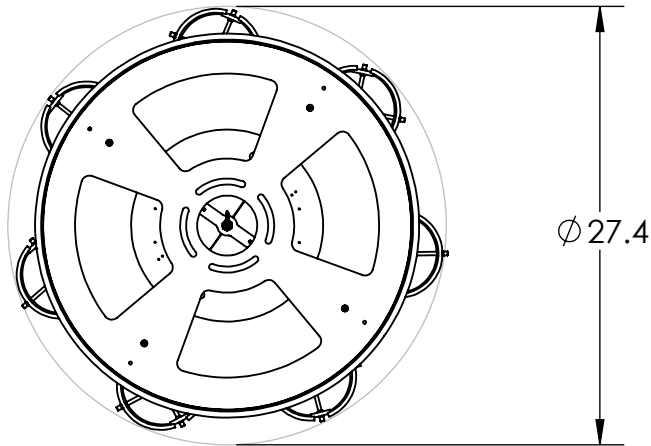
Collection: TEXTURED GLASS

Product #: CHB0044-08

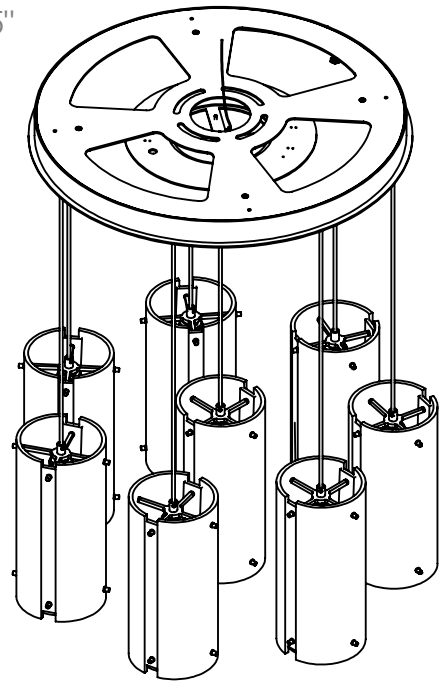


OAH ADJUSTABLE
IN 3" INCREMENTS
FROM 15.5" - 133.5"

12.0



Ø 27.4



ELECTRICAL OPTIONS

Product #	Electrical Type	Bulb Type	Wattage	Socket Type
CHB0044-08-XXX-E2	Incandescent	A19	60	Medium E26
CHB0044-08-XXX-G2	Flourescent	CFL/LED RETRO	13	GU-24

Bulbs Not Included Visit hammertonstudio.com for product options and specifications.

7/20/2018 (A)

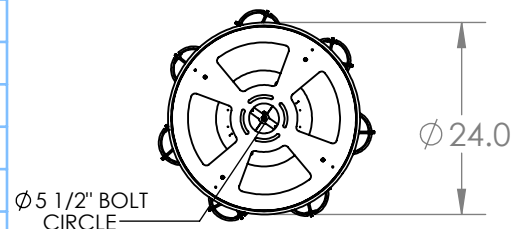
Mounting Packet: R	Weight(lbs.): 58	Electrical Type: SEE TABLE
UL Location: DRY	Bulb Qty: 8	Bulb Type: SEE TABLE
Finish: SEE WEB SITE FOR OPTIONS	Wattage: SEE TALBE	
Top Diffuser: OPEN	Socket Type: SEE TABLE	
Bottom Diffuser: FROSTED ACRYLIC		

All fixtures created by Hammerton are handcrafted by artisans. Dimensions may vary up to 7/8".

© Copyright 2016. All rights in design, detail or invention of this drawing are reserved as the property of Hammerton. Any imitation or adaptation without written consent is strictly prohibited.

Hammerton Inc. 217 Wright Brothers Dr. Salt Lake City, UT 84116 (801)973-8095

Mounting Detail



Ø 24.0

Ø 5 1/2" BOLT
CIRCLE

MOUNTS TO BUILDING STRUCTURE