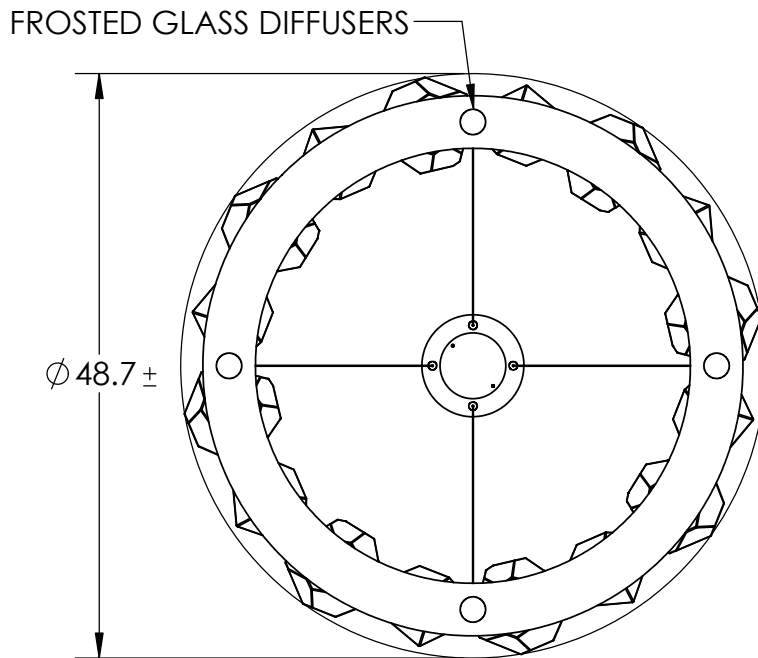
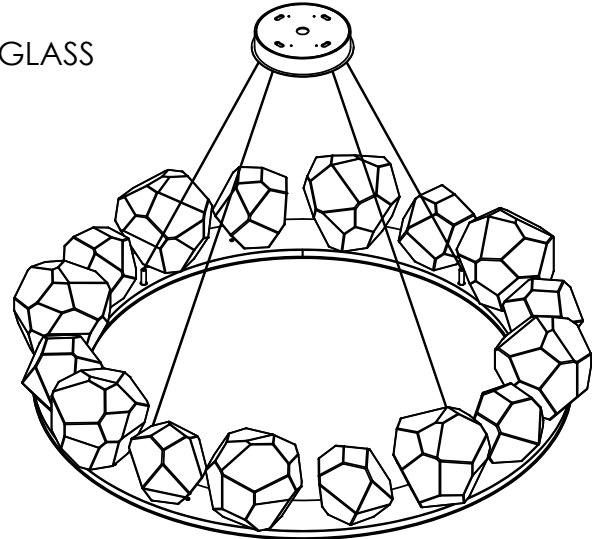
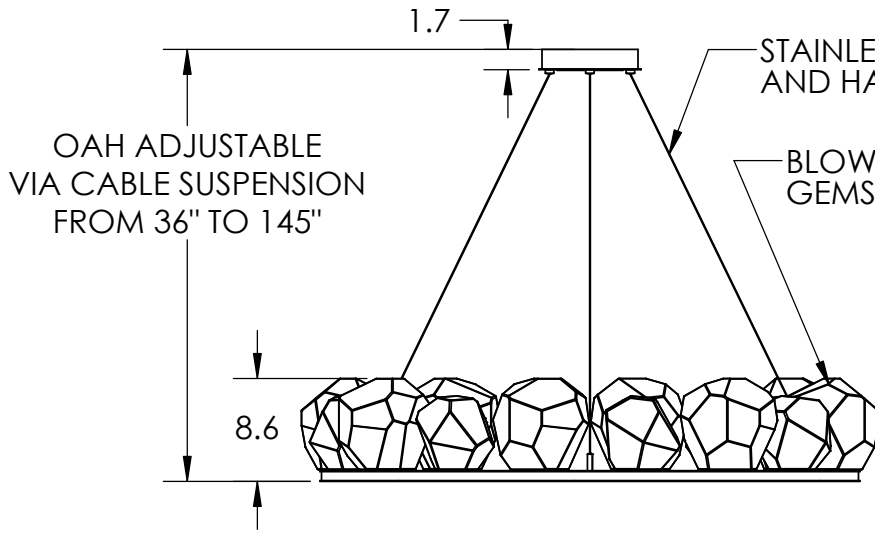
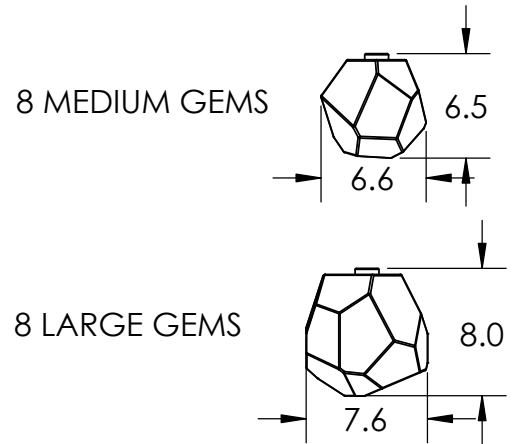


Collection: GEM

Product #: CHB0039-0D



CHANDELIER INCLUDES:

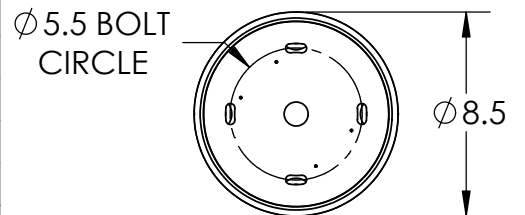


Visit [hammertonstudio.com](http://hammertonstudio.com) for product options and specifications.

5/19/2016 (A)

Mounting Packet: Z	Weight(lbs.): 76	Electrical Type: LED	CCT: 2700 K
UL Location: DRY	Elec. Qty: 20	Wattage: 41	Voltage: 120
Finish: SEE WEB SITE FOR OPTIONS	Source Lumens: Up: 1945	Down: 1370	
Top Diffuser: CLOSED GLASS	Forward/Reverse Phase Dimmable To 1%		
Bottom Diffuser: FROSTED GLASS	CRI: 90+	Power Factor: >0.9	

Mounting Detail



All fixtures created by Hammerton are handcrafted by artisans. Dimensions may vary up to 7/8".  
 © Copyright 2016. All rights in design, detail or invention of this drawing are reserved as the property of Hammerton. Any imitation or adaptation without written consent is strictly prohibited.