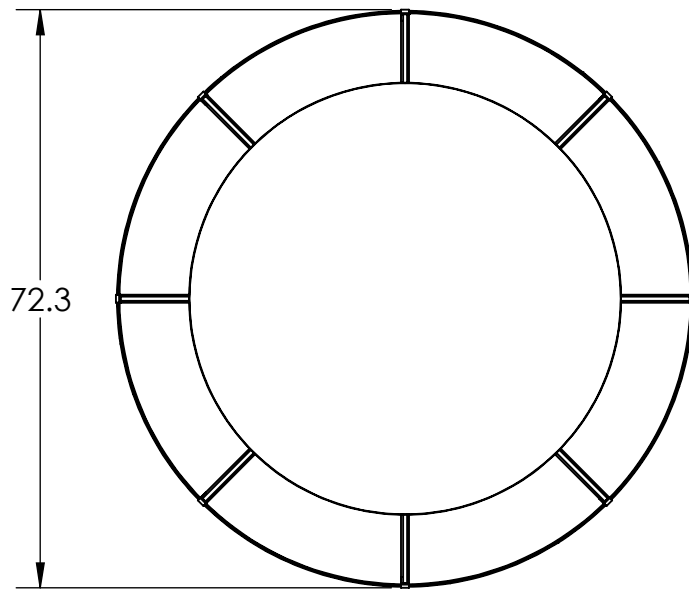
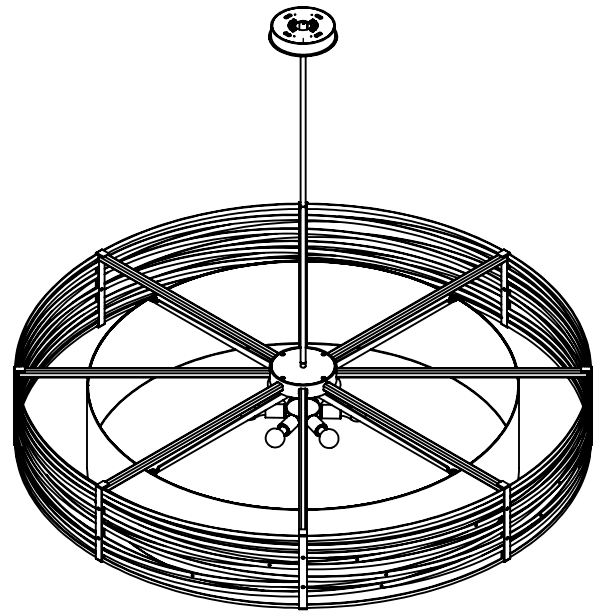
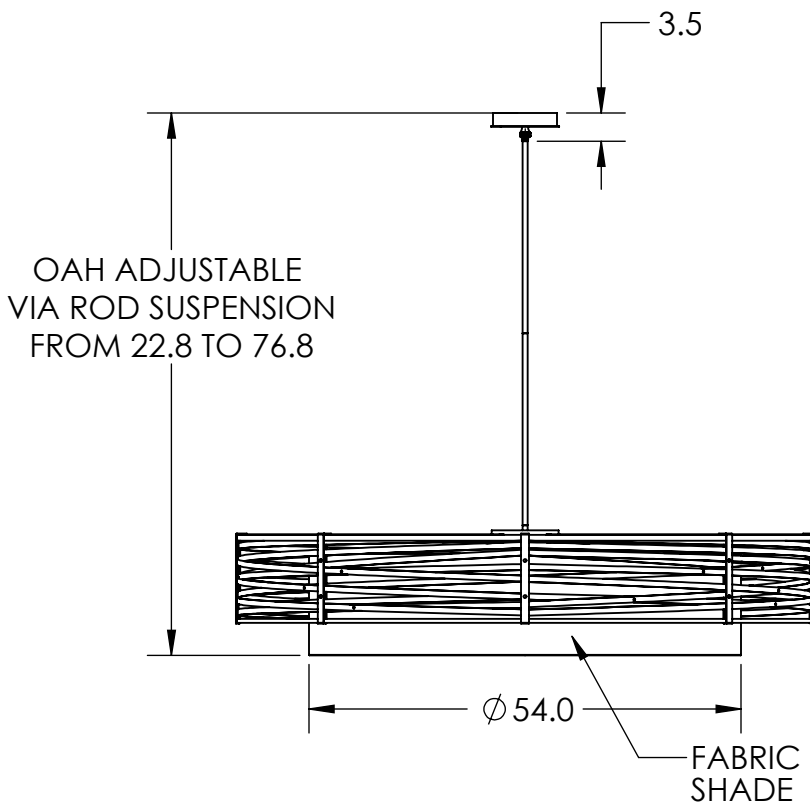


Collection: TEMPEST

Product #: CHB0013-72-SH



Bulbs Not Included

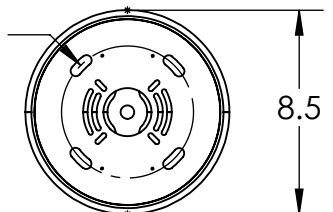
Visit hammertonstudio.com for product options and specifications.

5/3/2018 (A)

Mounting Packet: Z	Electrical Type: INCANDESCENT
Approximate lbs.: 140	Bulb Qty: 8 Bulb Type: B11
Finish: SEE WEB SITE FOR OPTIONS	Wattage: 60 Voltage: 120
Top Diffuser: OPEN	Socket Type: MEDIUM E26
Bottom Diffuser: CLOSED FABRIC	UL Location: DRY

Mounting Detail

Ø 5.5 BOLT
CIRCLE



All fixtures created by Hammerton are handcrafted by artisans. Dimensions may vary up to 7/8".

© Copyright 2016. All rights in design, detail or invention of this drawing are reserved as the property of Hammerton. Any imitation or adaptation without written consent is strictly prohibited.

Hammerton Inc. 217 Wright Brothers Dr. Salt Lake City, UT 84116 (801)973-8095

MOUNTS TO BUILDING STRUCTURE