

About Hammerton Studio

HAMMERTON STUDIO

In 2013, the Hammerton Studio brand was created to offer artisan-crafted, contemporary design solutions that are both versatile and accessible. Hammerton Studio fixtures add contemporary distinction to entries, great rooms and master suites, yet are cost-effective enough to use throughout any residential or commercial projects. Like all Hammerton fixtures, they are designed and fabricated in Salt Lake City, Utah using domestically sourced materials.

POWERFUL DESIGN

Since 1992, Hammerton has been known for extraordinary decorative lighting that is boldly designed, expertly rendered, perfectly proportioned and exquisitely detailed. Each fixture exudes a design aesthetic that is timeless and enduring, yet remarkably relevant.

UNCOMPROMISING CRAFTSMANSHIP

In addition to their exceptional metalworking and finishing expertise, Hammerton artisans share an aesthetic eye and a sculptural talent that define the difference between ordinary and extraordinary craftsmanship. Every fixture demonstrates its artisan's ability to elevate craft to an art form.

UNIQUE MATERIALS

Hammerton's recent acquisition of the Lightspann brand has added unparalleled strength in all types of artisan glass, including hand-blown, slumped, fused, and lampworked glass. The combination of Hammerton's traditional metalworking and Lightspann glass allows steel, woven mesh, fabric and glass to be combined in a manner which cannot be duplicated

A REPUTATION REFLECTED BY OUR CLIENTS

Hammerton fixtures are as extraordinary as the clients who purchase them, including Forbes 400 members, Fortune 500 leaders, award-winning entertainers, fashion and interior designers, sports legends, and leading luxury hospitality brands.

Hammerton
217 Wright Brothers Drive
Salt Lake City, UT
84116

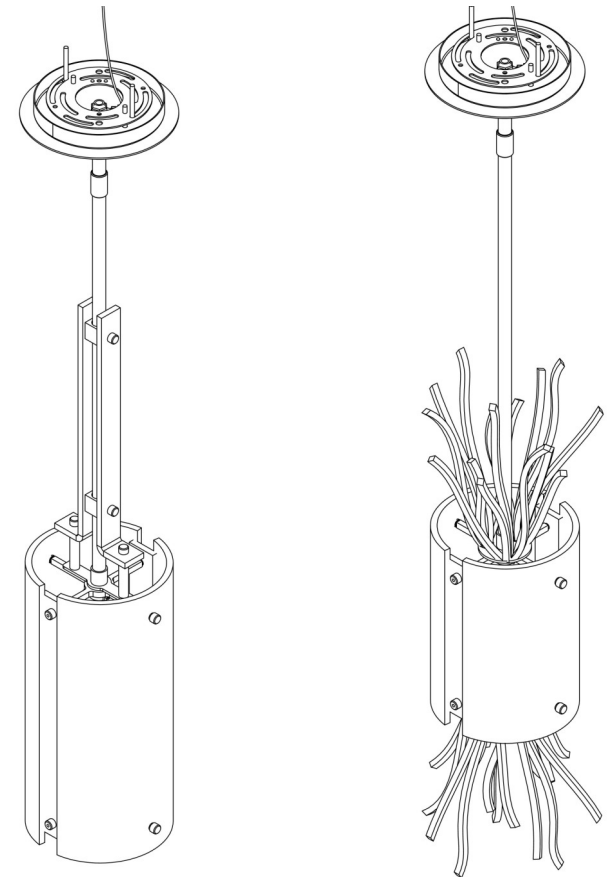
801-973-8095
info@hammerton.com
www.hammerton.com

HAMMERTONSTUDIO™

Assembly Instructions

Images below are representations of applicable product collections

LAB0032-0D
LAB0026-0A



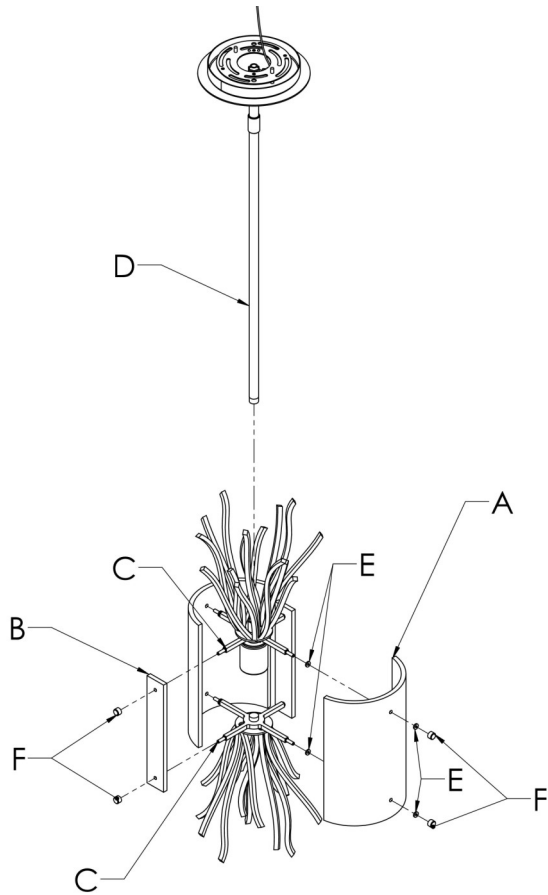
WARNING: FAILURE TO INSTALL THIS FIXTURE PROPERLY MAY RESULT IN SERIOUS PERSONAL INJURY OR DEATH AND PROPERTY DAMAGE.

It is recommended that this product be installed by a licensed electrician.

Rev 1
41-001-00102

Included Components

- A. Curved glass panels
- B. Pendant trim
- C. Spider(s)
- D. Stem canopy assembly
- E. Silicone washers
- F. Cylinder knobs
- G. Mounting packet Y



Ironwood-LAB0032-0D

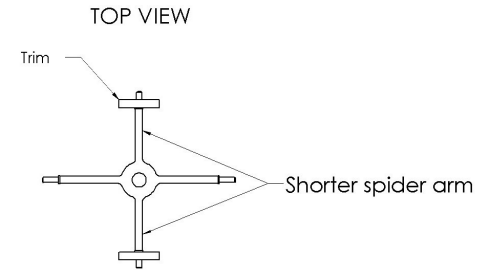
(For example purposes. May not represent actual fixture purchased.)

Assembly Instructions

Step 1: Apply Loctite® to exposed threads on (D) the stem canopy assembly and thread into coupler on fixture body.

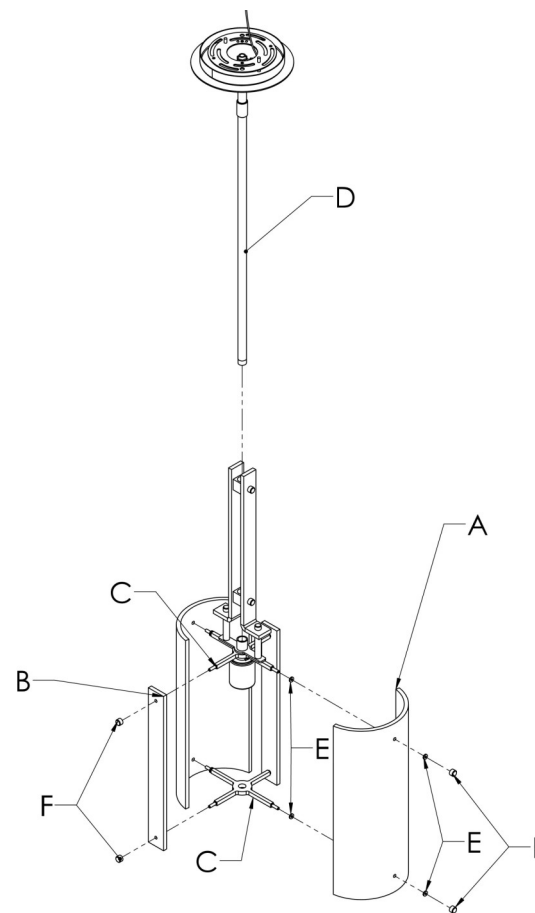
Step 2: Mount the fixture top plate to the ceiling using the provided instruction with Mounting packet Y. Do not cross thread.

Step 3: Install trim (B) to the top and bottom spider (C) with cylinder knobs. Ensure trim is attached to the shorter spider arms.



Step 4: Install light bulb.

Step 5: Place silicone washers (E) on each side of the glass panels (A) and onto the protruding all thread. Thread on cylinder knobs (F). Do not over tighten. If over tightened, the glass could crack.



Urban Loft-LAB0026-0A

(For example purposes. May not represent actual fixture purchased.)

Warranty

See www.hammertonstudio.com/warranty