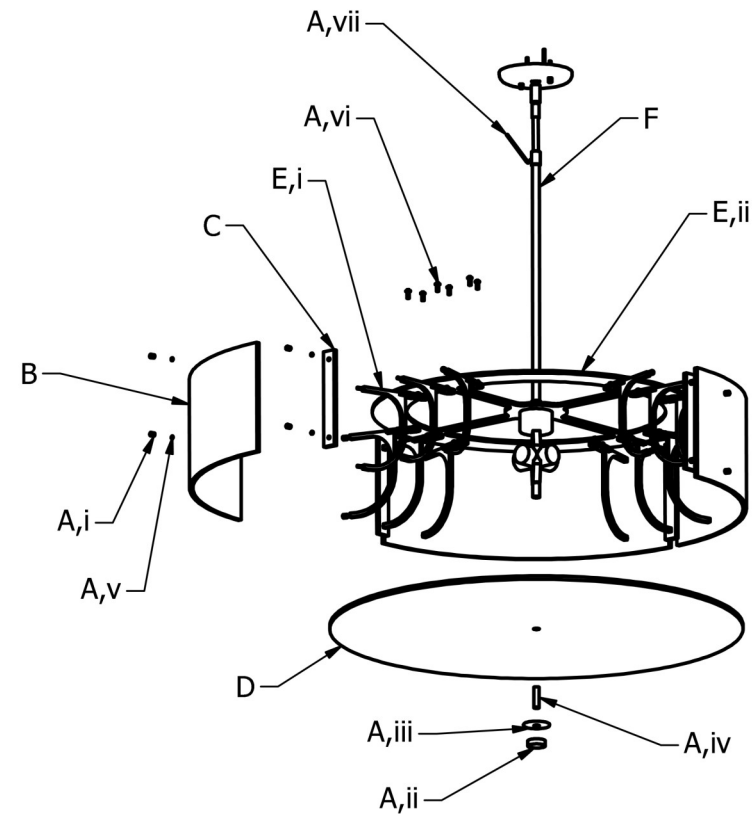


## Included Components

- A. Hardware
  - i. Cylinder knobs, #8-32 female (24)
  - ii. Flat cap (1)
  - iii. Check ring (1)
  - iv. 1.5" long, .375" dia all thread (1)
  - v. Clear cushion washers (48)
  - vi. #8-32 Philips head screw (24)
  - vii. Allen wrench (1)
  - viii. Loctite® Threadlocker 262 packet (1) (not shown, not required with short fixed overall height option)
- B. Curved textured glass panel (4)
- C. 1.25"x7" frosted trim (4)
- D. Frosted round diffuser (1)
- E. Chassis
  - i. C-Arm (12)
  - ii. Ring (1)
- F. Canopy with adjustable rod (1)
- G. Mounting packet Y (1) (not shown)

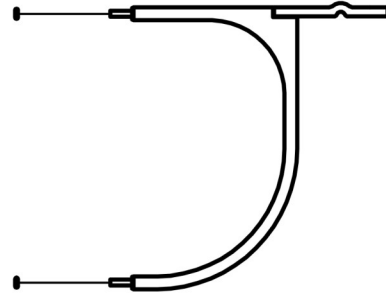


## Required Tools

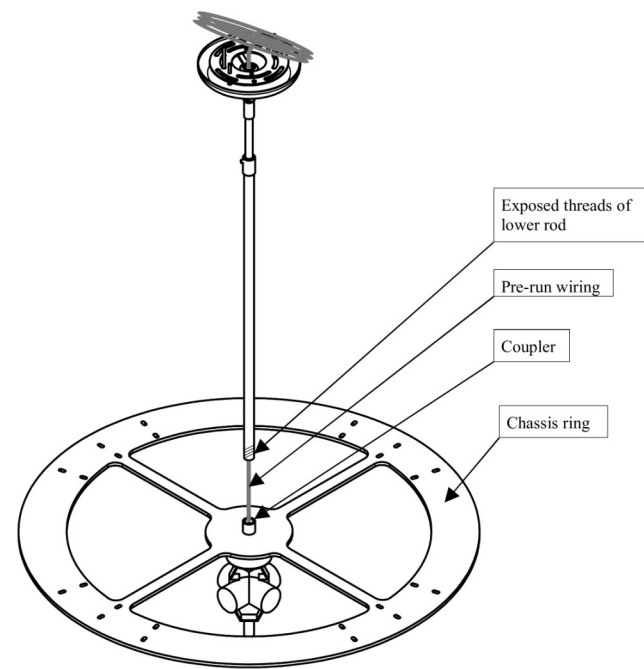
- 1. Phillips screw driver (not provided)

## Assembly Instructions

**Step 1:** Place the one clear cushion washer (A,v) on each stud of each C-Arm (E,i). Be sure to push the cushion washer all the way down to the base of the stud.



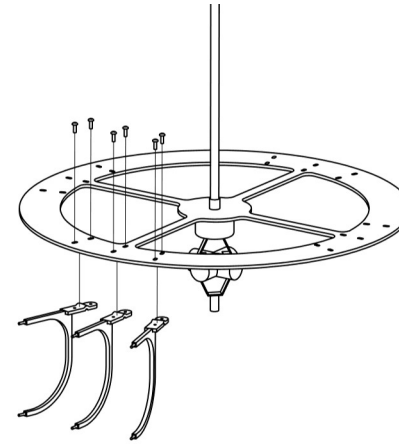
**Step 2:** If you purchased your fixture with a short fixed overall height option, skip to Step 4. **DO NOT PULL THE WIRING OUT OF THE CANOPY AND ADJUSTABLE ROD ASSEMBLY.** Attach canopy with adjustable rod (F) to the chassis ring (E,ii) by placing a drop of the supplied Loctite® 262 threadlocker (A,vii) on the exposed threads of the lower rod of the adjustable rod assembly, and screwing the rod into the coupler mounted to the top of the chassis ring. Tighten firmly by hand. **DO NOT USE PLIERS.** They will scratch the finish. The pre-run wire stretching from the electrical sockets to the canopy, should stay fixed while the adjustable rod rotates around it during tightening.



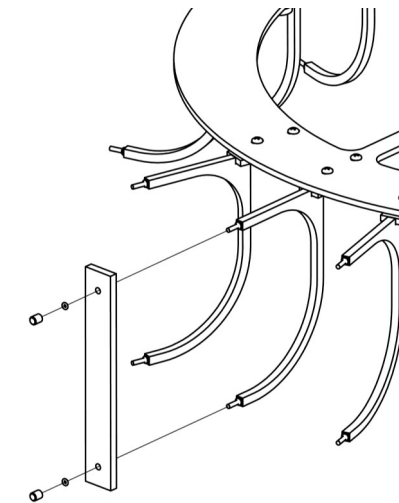
**Step 3:** Adjust the canopy-rod assembly (F) length to accommodate your desired fixture overall height following the provided **Suspension Length Adjustment Instructions**. Keep in mind that the bottom of the fixture will be approximately 7.25" lower than the top of the chassis ring.

**Step 4:** Mount the fixture to the ceiling following the provided **Mounting Instructions**. **DO NOT ATTACH THE GLASS BEFORE MOUNTING.**

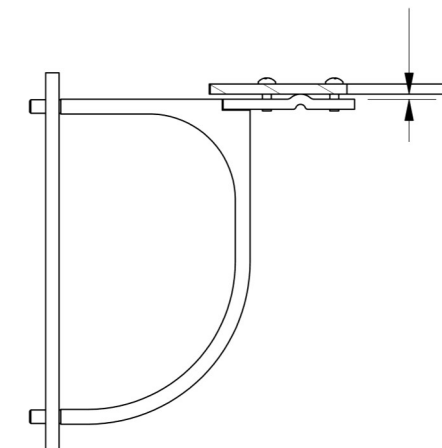
**Step 5:** Loosely mount the C-Arms (E,i) to the chassis ring (E,ii) using the provided #8-32 Phillips head screws. **DO NOT TIGHTEN AT THIS POINT.**



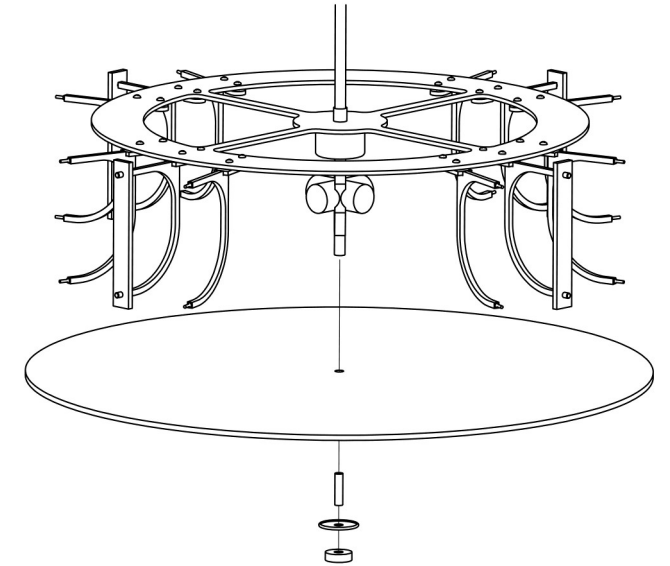
**Step 6:** Attach the four frosted trim (C) pieces to the center c-arm (E,i) of each cluster of three. Be sure to place the cushion washer (A,v) on the threaded stud of the c-arm between the 1"x7" frosted glass trim (C) and the cylinder knob (A,i) used to hold the glass in place. **DO NOT USE PLIERS OR WRENCH TO TIGHTEN.**



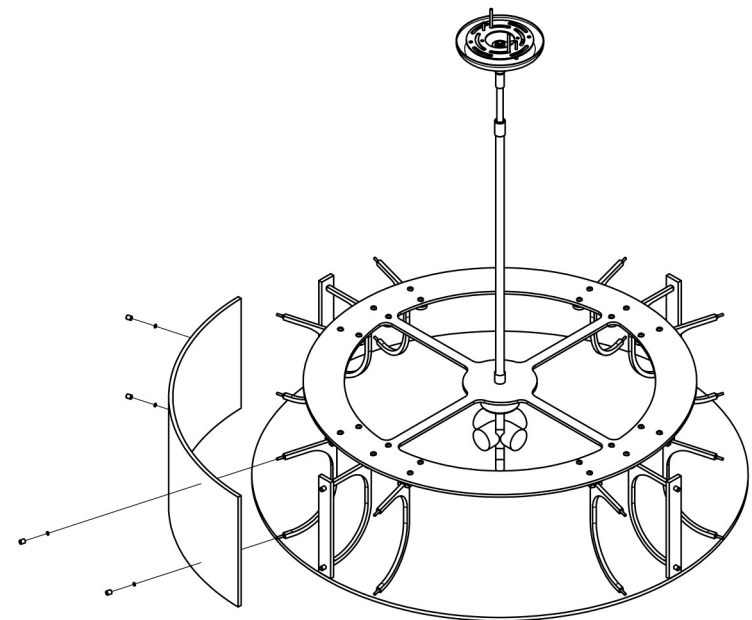
**Step 7:** Adjust the leveling of the c-arms with the frosted glass trim (C) attached by tightening and loosening the screws. Try to create an even gap between the bottom surface of the chassis ring (E,ii) and the top surface of the c-arm (E,i) adjustment tab on both sides of the pivot point.



**Step 8:** Remove protective film from the frosted round diffuser (D). Mount the acrylic diffuser to the chassis (E) using the 1.5" long, .75" dia all thread (A, iv), check ring (A, iii) and flat cap (A, ii). Connect the flat cap, check ring, and all thread first. Then attach the acrylic diffuser, threading the all thread into the female coupler connected to the chassis's electrical assembly. The acrylic diffuser should touch the bottom of the frosted trim pieces (C).



**Step 9:** THE C-ARMS WITHOUT GLASS ATTACHED TO THEM SHOULD BE LOOSELY ATTACHED TO THE CHASSIS RING. Loosely attach the four curved textured glass panels (B) using the cylinder knobs (A,i) tightened by hand. **BE SURE TO PLACE CUSHION WASHERS BETWEEN GLASS AND CYLINDER KNOBS.** For each panel, attach one end first to both the top and bottom studs of the c-arm, then the other. Loosely attach all curved glass panels before adjusting and tightening.



**Step 10:** Starting with one curved panel and working your way around the entire fixture, push the curved glass panel (B) inward until it touches the diffuser (D). Then begin adjusting the height of the glass panel using the screws attaching the c-arms (E,i) to the chassis ring (E,ii). The arms holding the frosted trim (C) can be adjusted as well. **DO NOT OVER TIGHTEN THE SCREWS LIGHT HAND PRESSURE SHOULD BE SUFFICIENT.**

### HAMMERTON STUDIO

In 2013, the Hammerton Studio brand was created to offer artisan-crafted, contemporary design solutions that are both versatile and accessible. Hammerton Studio fixtures add contemporary distinction to entries, great rooms and master suites, yet are cost-effective enough to use throughout any residential or commercial projects. Like all Hammerton fixtures, they are designed and fabricated in Salt Lake City, Utah using domestically sourced materials.

### POWERFUL DESIGN

Since 1992, Hammerton has been known for extraordinary decorative lighting that is boldly designed, expertly rendered, perfectly proportioned and exquisitely detailed. Each fixture exudes a design aesthetic that is timeless and enduring, yet remarkably relevant.

### UNCOMPROMISING CRAFTSMANSHIP

In addition to their exceptional metalworking and finishing expertise, Hammerton artisans share an aesthetic eye and a sculptural talent that define the difference between ordinary and extraordinary craftsmanship. Every fixture demonstrates its artisan's ability to elevate craft to an art form.

### UNIQUE MATERIALS

Hammerton's recent acquisition of the Lightspann brand has added unparalleled strength in all types of artisan glass, including hand-blown, slumped, fused, and lampworked glass. The combination of Hammerton's traditional metalworking and Lightspann glass allows steel, woven mesh, fabric and glass to be combined in a manner which cannot be duplicated

### A REPUTATION REFLECTED BY OUR CLIENTS

Hammerton fixtures are as extraordinary as the clients who purchase them, including Forbes 400 members, Fortune 500 leaders, award-winning entertainers, fashion and interior designers, sports legends, and leading luxury hospitality brands.

Hammerton  
217 Wright Brothers Drive  
Salt Lake City, UT  
84116

801-973-8095  
info@hammerton.com  
www.hammerton.com

### ONE YEAR LIMITED WARRANTY

Hammerton, Inc. (Hammerton) warrants the original owner that this product will be free of defects in material or workmanship for the period of one year from the date of original purchase from Hammerton, if (i) the allegedly defective product has not been abused, misused or improperly maintained and or repaired during the warranty period, (ii) the defect is not caused by water damage/flooding, fire, explosion, earthquakes or similar phenomenon, and (iii) the defect is not caused by improper installation (unless installed by Hammerton).

In order to obtain warranty service, the user must first complete a warranty claims form. Hammerton will determine if the product will be inspected on site or returned to Hammerton. If after the inspection Hammerton finds that the product is defective as claimed, Hammerton will, at its option, repair or replace the product free of charge, or Hammerton may in its sole discretion, refund the purchase price. Hammerton warrants any replaced or repaired products for ninety days after shipment or through the end of the original warranty period, whichever is longer. All products or parts that are replaced become the property of Hammerton.

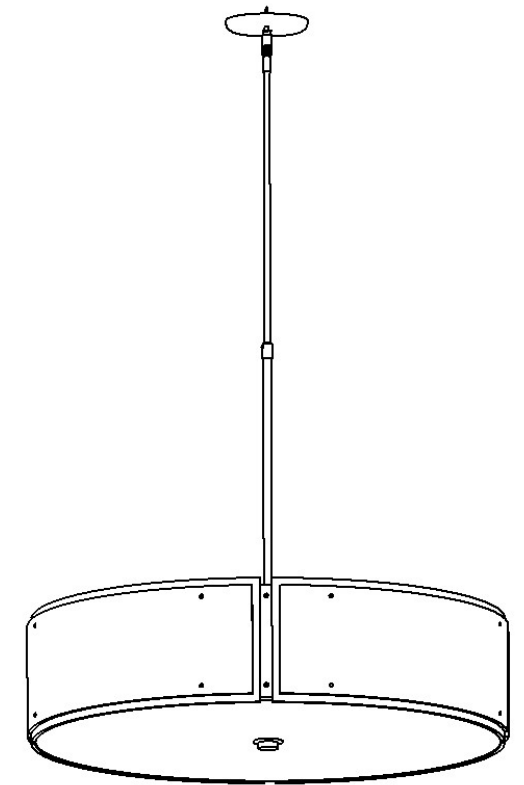
No representative or employee of Hammerton is authorized to make any modification or addition to this limited warranty.

TO THE FULL EXTENT ALLOWED BY LAW, THE FOREGOING WARRANTY AND REMEDIES ARE EXCLUSIVE, AND HAMMERTON EXPRESSLY DISCLAIMS ALL OTHER WARRANTIES, EXPRESSED OR IMPLIED, INCLUDING WITHOUT LIMITATION THE IMPLIED WARRANTIES OF MERCHANTABILITY AND FITNESS FOR A PARTICULAR PURPOSE. TO THE FULL EXTENT ALLOWED BY LAW, HAMMERTON EXCLUDES AND DISCLAIMS LIABILITY, WHETHER BASED IN CONTRACT OR TORT (INCLUDING NEGLIGENCE FOR ANY CONSEQUENTIAL, INDIRECT INCIDENTAL OR SPECIAL DAMAGES OF ANY NATURE ARISING OUT OF THE SALE INSTALLATION, MAINTENANCE, USE OR FAILURE OF THIS PRODUCT, EVEN IF HAMMERTON HAS BEEN ADVISED OF THE POSSIBILITY OF SUCH DAMAGES IN ADVANCE, AND HAMMERTON LIMITS ITS LIABILITY TO REPLACEMENT, REPAIR OR REFUND OF THE PURCHASE PRICE PAID, AT HAMMERTON'S OPTION.)

SOME STATES DO NOT ALLOW LIMITATIONS ON HOW LONG AN IMPLIED WARRANTY LASTS AND/OR DO NOT ALLOW THE EXCLUSION OR LIMITATION OF INCIDENTAL OR CONSEQUENTIAL DAMAGES, SO THE ABOVE LIMITATION ON IMPLIED WARRANTY AND INCIDENTAL OR CONSEQUENTIAL DAMAGES MAY NOT APPLY TO YOU. THIS WARRANTY GIVES YOU SPECIFIC LEGAL RIGHTS YOU MAY HAVE OTHER RIGHTS, WHICH VARY FROM STATE TO STATE

## Assembly Instructions

CHB0044-XX-XX-X,



**WARNING:** FAILURE TO INSTALL THIS FIXTURE PROPERLY MAY RESULT IN SERIOUS PERSONAL INJURY OR DEATH AND PROPERTY DAMAGE.

**CAUTION:** Be sure to turn off all power running to the junction box that this fixture will be mounting to. Failure to do so may result in injury or death.

It is recommended that this product be installed by a licensed electrician.