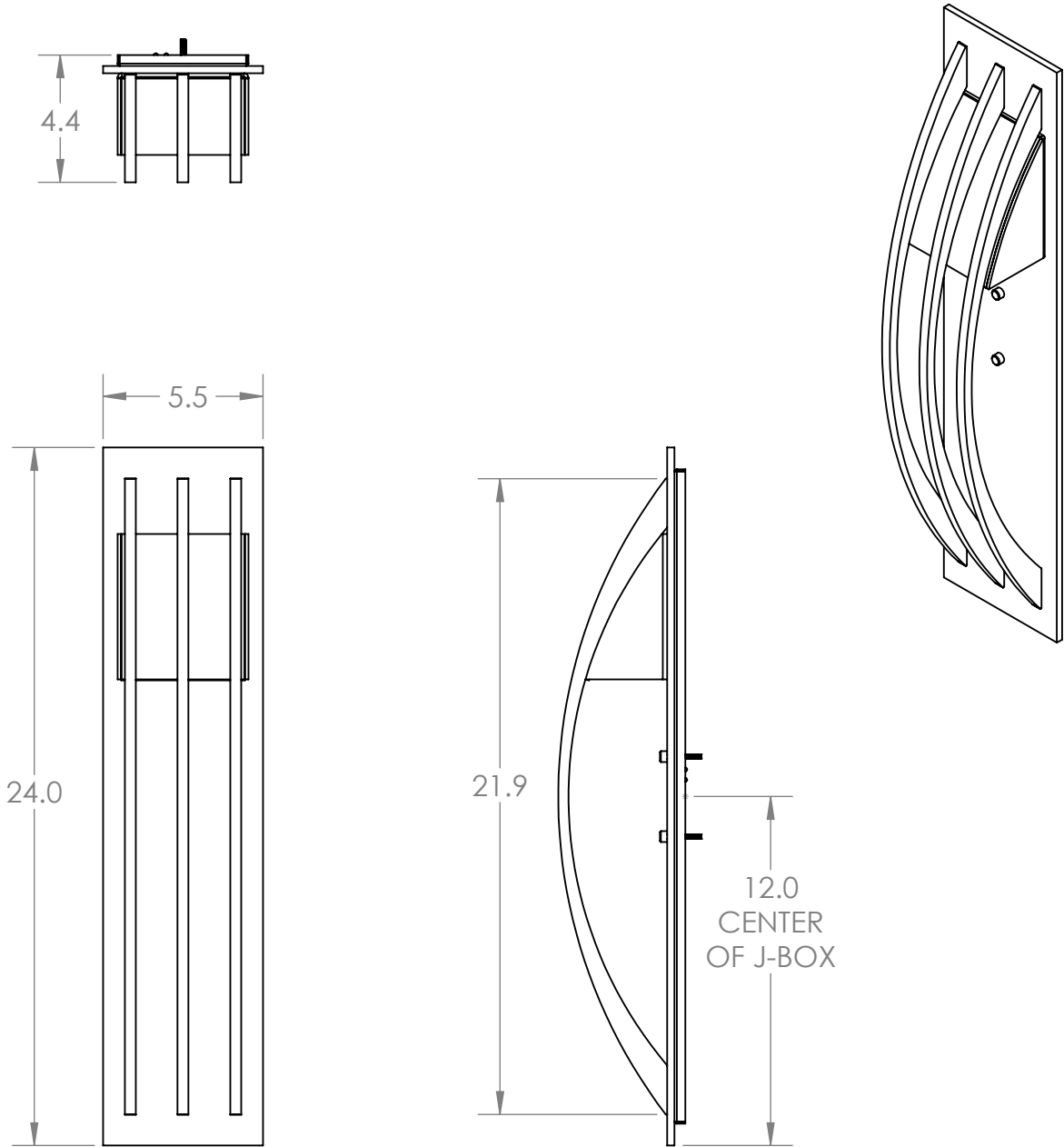


Collection: OD ARCH SCONCE

Product #: ODB0058-24



Bulbs Not Included

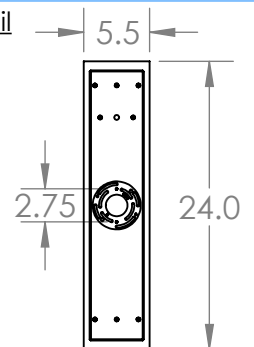
Visit hammertonstudio.com for product options and specifications.

10/25/2018 (A)

Mounting Packet: U	Electrical Type: INTEGRATED LED
Approximate lbs.: 17	Bulb Qty: 1 Bulb Type: N/A
Finish: SEE WEB SITE FOR OPTIONS	Lumens: 400 Voltage: 120
Top Diffuser: CLOSED METAL	Socket Type: N/A
Bottom Diffuser: OPEN	UL Location: WET

Mounting Detail

MOUNTS DIRECTLY TO J-BOX



All fixtures created by Hammerton are handcrafted by artisans. Dimensions may vary up to 7/8".

© Copyright 2017. All rights in design, detail or invention of this drawing are reserved as the property of Hammerton. Any imitation or adaptation without written consent is strictly prohibited.

Hammerton Inc. 217 Wright Brothers Dr. Salt Lake City, UT 84116 (801)973-8095